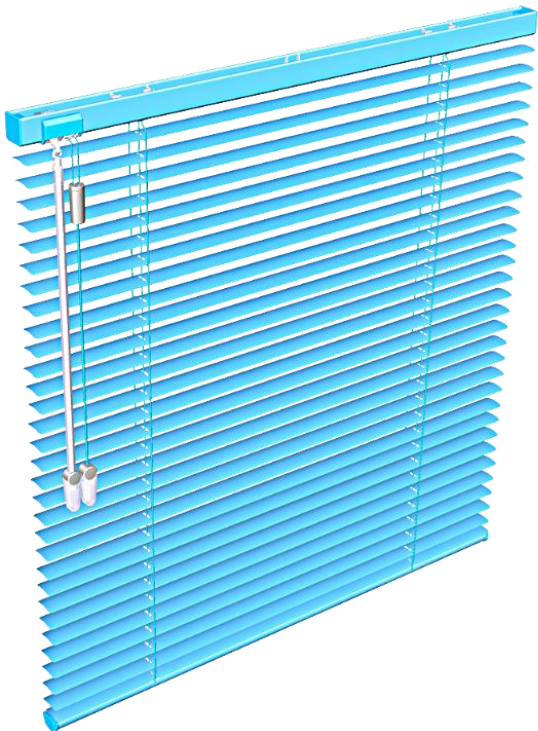
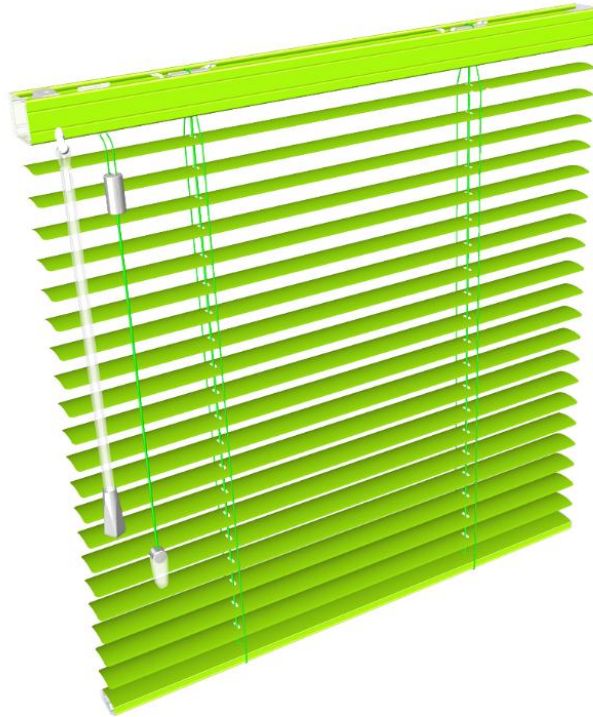


# VB Systems Overview

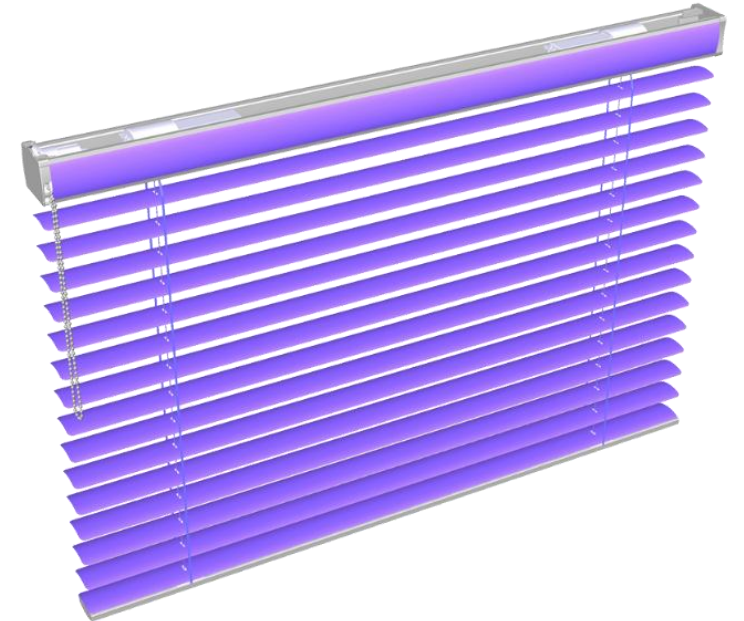
**16 / 25 mm**



**35 mm**



**50 / 70 mm**

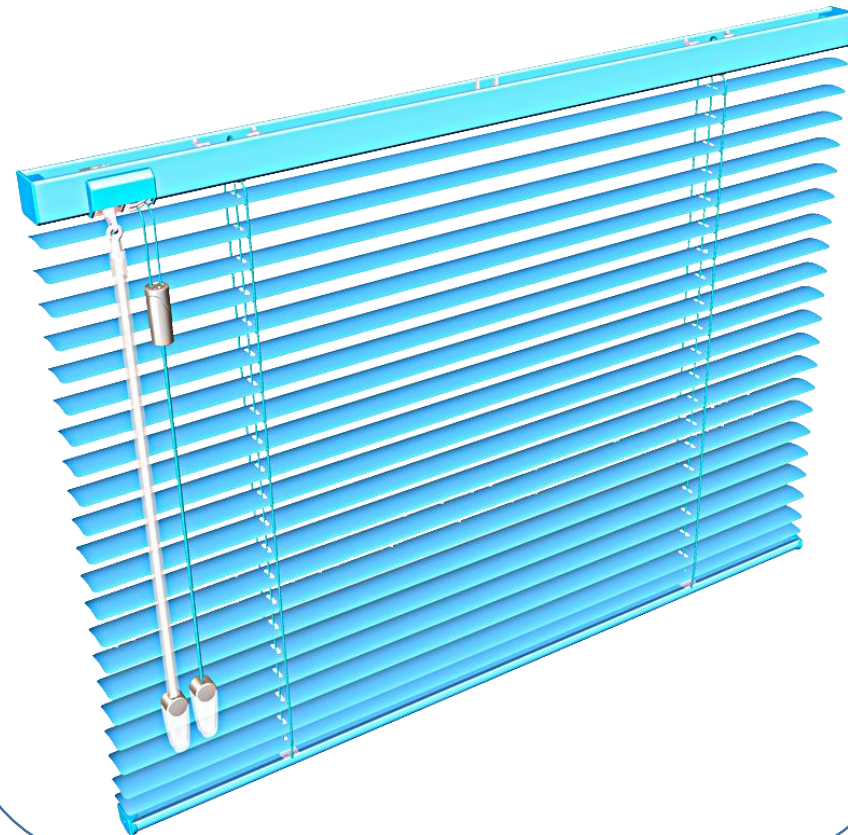


# 16 / 25 mm Venetian Blinds

**25 x 25 system**



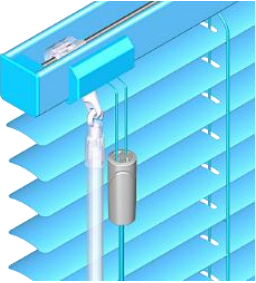
**Ultimate Blind**



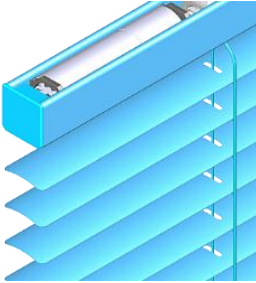


# Ultimate Blind

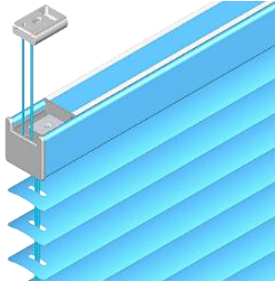
Cord / Wand



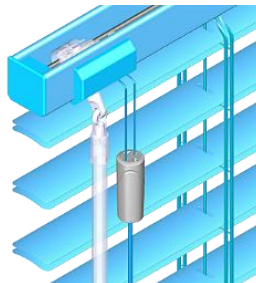
Motorized Operation



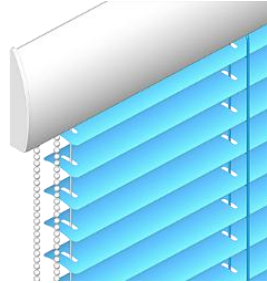
Top Down Integrated



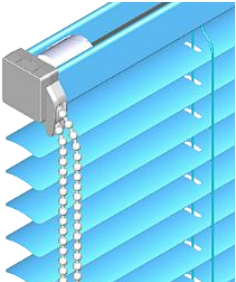
Megaview



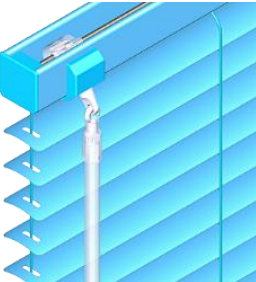
Style



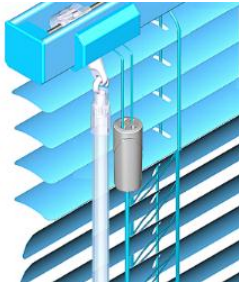
Chain Operated



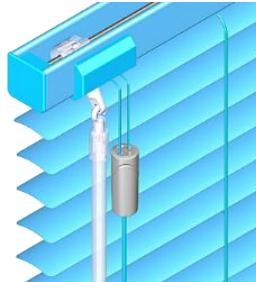
Handle Operated



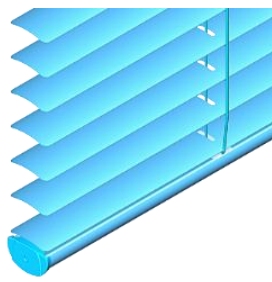
Duoflex



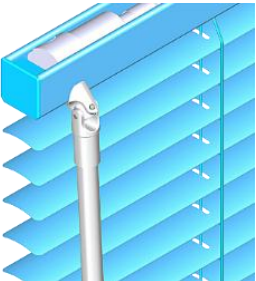
Privacy Blind



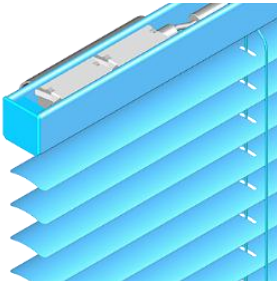
Bottom Rail Options



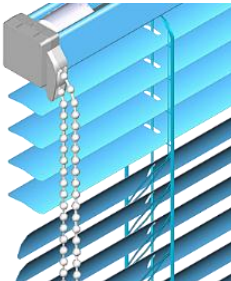
Crank Operated



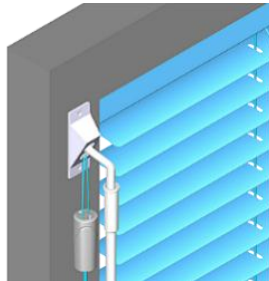
LiteRise®



Varioflex



Double Window



Special Options

Back to main

# Cord Wand

This is the most common, standard operation for a venetian blind. Lifting is done by a cord, tilting with a wand. Both operations can be placed either left or right

## Size limitations

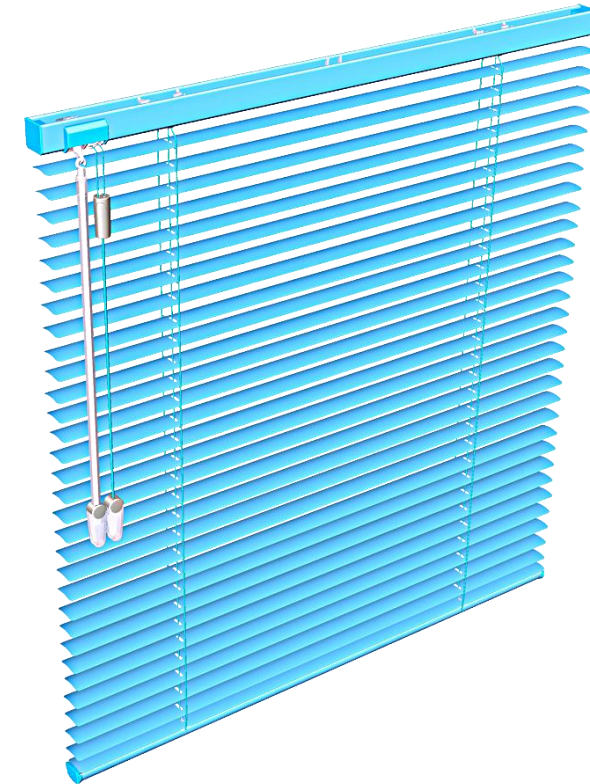
	$W_{\min}$	$W_{\max}$	$H_{\min}$	$H_{\max}$	$S_{\max}$
16mm	320	2300	200	3000	6 m <sup>2</sup>
25mm	320	3300	200	3000	6 m <sup>2</sup>

## Components

For the general parts, needed to produce the standard options, please refer to the exploded view.

## Investments

General investments required to make standard blinds are depending on several factors (like quantities and level of assembly - automation).



Back

Exploded View

Back to main

# Chain Operation

With this 'mono command' blind both tilting and lifting are done in one operation. In this case it is an endless chain, which can be made of either plastic or metal

## Size limitations

	$W_{min}$	$W_{max}$	$H_{min}$	$H_{max}$	$S_{max}$
16mm	380	2700	200	2000	6 m <sup>2</sup>
	460	2700	2000	2300	6 m <sup>2</sup>
25mm	380	3300	200	2000	6 m <sup>2</sup>
	460	3300	2000	3000	6 m <sup>2</sup>

## Components

For the general parts, needed to produce the standard options, please refer to the exploded view

## Investments

General investments required to make standard blinds are depending on several factors (like quantities and level of assembly - automation).

[Back](#)

[Exploded View](#)

[Back to main](#)

# Crank Operation

This version of the 'mono command' blind is operated by a crank. Intrinsically child safe, this operation wand can be either fixed to the blind or detachable

## Size limitations

	$W_{\min}$	$W_{\max}$	$H_{\min}$	$H_{\max}$	$S_{\max}$
16mm	430	2700	200	2000	6 m <sup>2</sup>
	460	2700	2000	2300	6 m <sup>2</sup>
25mm	430	3300	200	2000	6 m <sup>2</sup>
	460	3300	2000	3000	6 m <sup>2</sup>

## Components

For the general parts, needed to produce the standard options, please refer to the exploded view.

## Investments

General investments required to make standard blinds are depending on several factors (like quantities and level of assembly - automation).

[Back](#)

[Exploded View](#)

[Back to main](#)

# Motorized Operation

Ultimately, a mono command blind can be operated electrically. With a 24 volt motor inside, this blind can be operated by switch, remote, or incorporated in a home motion control system

## Size limitations

	$W_{min}$	$W_{max}$	$H_{min}$	$H_{max}$	$S_{max}$
16mm	530	2700	200	2000	5 m <sup>2</sup>
16mm	560	2700	200	2300	5 m <sup>2</sup>
25mm	530	3300	200	2000	5 m <sup>2</sup>
25mm	560	3300	200	3000	5 m <sup>2</sup>

## Components

For the general parts, needed to produce the standard options, please refer to the exploded view.

## Investments

General investments required to make standard blinds are depending on several factors (like quantities and level of assembly - automation).

[Back](#)

[Exploded View](#)

[Back to main](#)

# Handle operation, Tensioned

This blind is operated by a handle, which is mounted on the bottom rail. Using a tensioned cord in a special threading, the bottom rail stays in any desired position. Tilting is operated by a wand, resulting in an intrinsically child safe product



## Sizelimitations

	W <sub>min</sub>	W <sub>max</sub>	H <sub>min</sub>	H <sub>max</sub>	S <sub>max</sub>
16mm	270	1500	200	2000	2 m2
25mm	270	1500	200	2000	2 m2

## Components

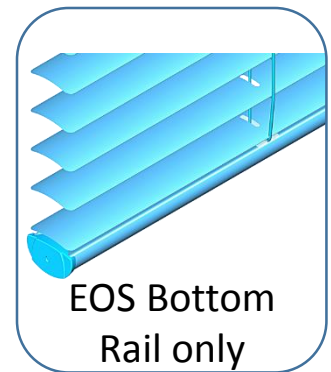
1532130000 speednut	1561460764 Grommet Sideguding VB
1561150000 Sideguiding br.sill	1566320000 EOS BR Endcap HO
1561160000 Sideguiding br.jamb	1566667178 EOS Bottomrail Handle Set
1561290000 Side guiding Spring VB	2976627199 Grommet MK II
1561320000 Locking Ring Small	

## Investments

A 'sideguiding' hole is needed in the Head rail. There are principally two options:

Side guiding die for head rail Machine: €4300

Side guiding pliers: €920



EOS Bottom Rail only

[Back](#)

[Exploded View](#)

[Back to main](#)



# LiteRise<sup>®</sup>: Handle operation, free hanging

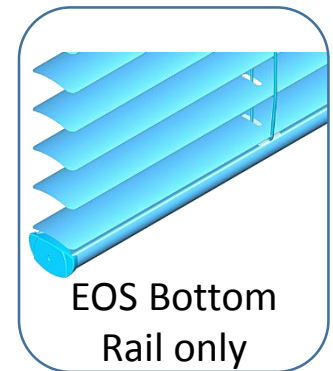
The easiest way to operate your blind, with a clean uncluttered look. A free hanging blind, where both tilting and lifting are done by moving the bottom rail. A special balanced spring keeps the rail in any desired position.

## Size limitations

	W <sub>min</sub>	W <sub>max</sub>	H <sub>min</sub>	H <sub>max</sub>	S <sub>max</sub>
25mm	330	1400	200	2000	2.8 m <sup>2</sup>
25mm	1400	2000	200	1800	3.6 m <sup>2</sup>

## Components

1568242358	Literise Bearing	156830xxxx	Bearing Support Literise
156826xxxx	VB Spring Motor LR A	1568320000	Connector 5 Sq
156827xxxx	VB Spring Motor LR B	1568330000	LR Weight 85 mm
1568280000	VB LR Flex Shaft	1568340000	LR Weight 125 mm
1568290000	VB LR Connector	1568350000	LR Weight 55 mm



## Investments

Specific tooling for LiteRise<sup>®</sup> is needed to make the rectangular holes in the head rail. Also required: a positioning- and punching tool to make holes for mounting the metal handle on the bottom rail:

Punch for LiteRise <sup>®</sup> holes in head rail:	€5200
Positioning and punching tool for metal handle:	€2600

[Back](#)

[Exploded View](#)

[Back to main](#)

## Top Down Integrated BB25

Our special tensioned blind, where both the head- and the bottom rail can be moved by handle and thus creating the possibility to have privacy and light regulation while being able to look outside undistracted

### Size limitations

	W <sub>min</sub>	W <sub>max</sub>	H <sub>min</sub>	H <sub>max</sub>	S <sub>max</sub>
16mm	270	1420	200	2300	2 m2
25mm	270	1500	200	2500	2 m2

### Components

- 156581xxxx HR Endcap TDI
- 1565820000 Tilter assy TDI
- 156583xxxx Tilt knob TDI
- 156584xxxx Footplate cover VB TDI
- 1565857052 VB Cover Profile TDI
- 1565867178 HR Handle Base TDI
- 1565880204 Tilt ring TDI
- 1565890000 Magnet VB TDI
- 1565900000 Magnet plate VB TDI
- Brackets for beadings (optional)
- 1565930000 Magnet 3 VB TDI
- 156594xxxx Footplate T base set
- 156595xxxx Footplate T cover
- Brackets for mounting on face (optional)
- 297824xxxx Wall support small Models B-D
- 297825xxxx Cover plate for 297824

### Investments

Tools required for making TDI blinds are one punch to make the hole for the tilt knob and a threading table for tensioning the cord.

- Punch for Head rail: €1300
- Threading table: €2800

### TDI BB25 with Hex 3 tilt rod (optional)

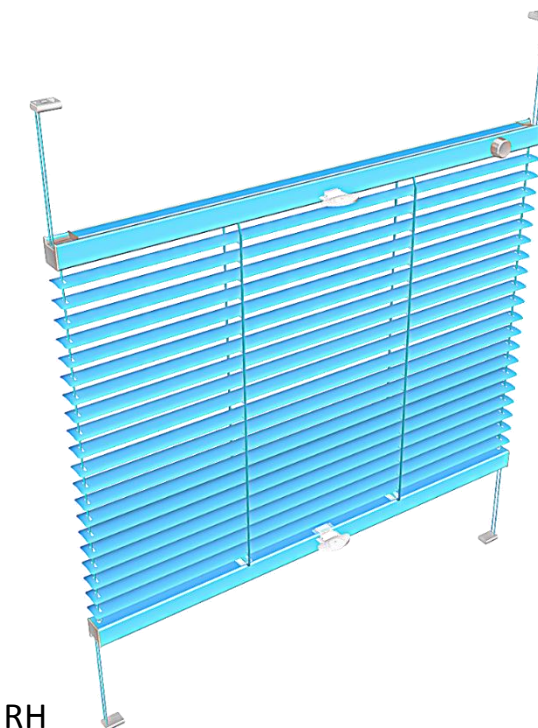
#### Components

- 1565870000 Spring Lock
- 1565960204 Adapter 5sq / 3 hex
- 1651570000 Locking Ring
- 2978687199 Spring unit M-assy

### TDI BB25 'Stick & Click' (optional)

#### Components

- 297190xxxx C-Profile Taped
- 2979150000 Bracket C-Profile
- 297916xxxx FootPlate C-Profile RH
- 297917xxxx FootPlate C-Profile LH
- 2979180000 Footplate C-Profile Insert
- 2979245100 Installationplate C-Profile RH
- 2979255100 Installationplate C-Profile LH
- 2465360000 Cleaning Wipe NB
- 2465450000 Tape Primer Anti-silicone



[Back](#)

[Exploded View](#)

[Back to main](#)

# Duoflex

With a simple adjustment, any type of blind can be divided into two segments, giving the option to have an opened topside leaving the light coming in, while closing the bottom section for privacy and anti-glare (or vice-versa of course).

## **Size limitations**

The size limitations of a duoflex are equal to the standard version of the product type that is produced.

## **Components**

1601790000      Cordbead

## **Investments**

For Duoflex blinds no additional tooling is required.

[Back](#)[Back to main](#)

# Varioflex

Using a special patented system, this type of blind is divided into two segments, which can have independent tilting positions of the slats. As it uses mono command technology, Varioflex can be executed with chain-, crank- or motor operation.

## Size limitations (chain operated)

	$W_{min}$	$W_{max}$	$H_{min}$	$H_{max}$	$S_{max}$
25mm	370	450	400	2000	4.4 m2
25mm	450	3300	400	3000	4.4 m2

## Components

156822xxxx	Megaview Monocommando Set
1568375100	Fixed Springcatcher VF MC

## Investments

For Varioflex blinds no additional tooling is required.

[Back](#)

[Exploded View](#)

[Back to main](#)



# Megaview®

Double your view to the outside, compared to a regular 25mm venetian blind, while closing like a normal 25mm blind. Megaview® can be executed with cord / wand, chain-, crank- or motor operation.

## Megaview cord / wand operated Size limitations

	W <sub>min</sub>	W <sub>max</sub>	H <sub>min</sub>	H <sub>max</sub>	S <sub>max</sub>
25mm	320	3300	200	3000	4 m <sup>2</sup>

## Components

126137xxxx	25mm Stringtape D.Pitch
1566050204	Taperoll Support D.Pitch
1566060000	Taperoll Double Pitch
1566070000	AA Wandtilter Heavy Duty

## Megaview Mono Command Size limitations (chain operated)

	W <sub>min</sub>	W <sub>max</sub>	H <sub>min</sub>	H <sub>max</sub>	S <sub>max</sub>
25mm	410	3300	200	2000	4 m <sup>2</sup>
25mm	530	3300	2000	3000	4 m <sup>2</sup>

## Components

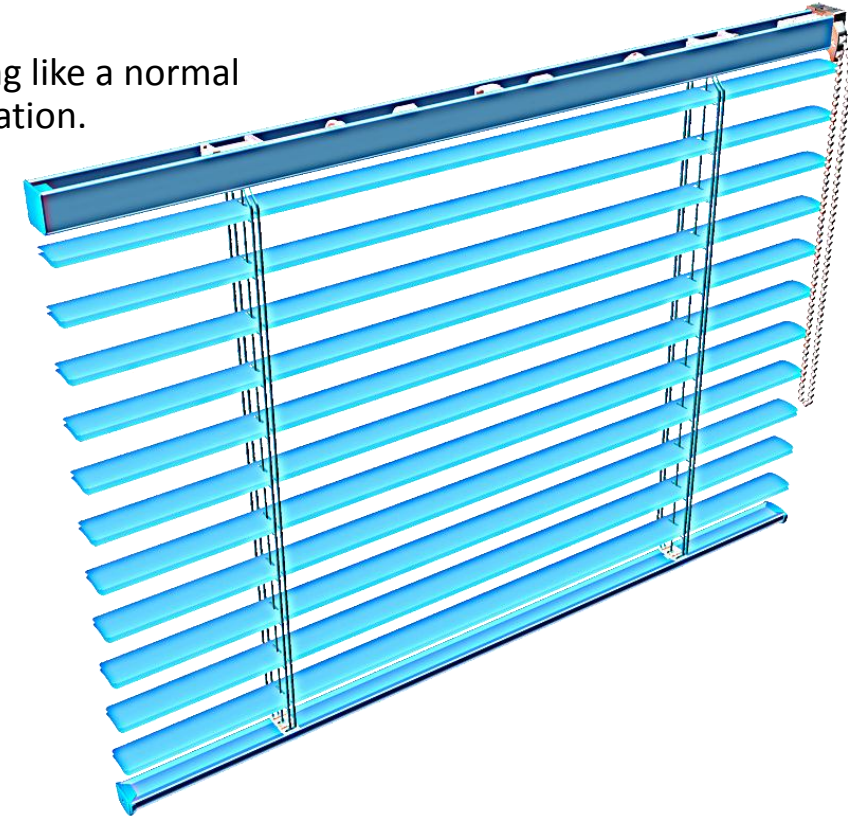
126137xxxx	25mm Stringtape D.Pitch
156622xxxx	Megaview Monocommando set

## Investments

For Megaview® (cord / wand) special finishing of the string tapes is required. This can be done manually (no additional tooling) up to automatically using a special string tape machine. The same goes for the slat pack production. Slats can be laced manually, or automatically. String tape production:

Jig: € 2500 / Manual grommet unit: € 7200 / Special string tape machine: € 62000

Slats lacing set for 622 Head rail machine: € 12000



[Back](#)

[Exploded View](#)

[Back to main](#)

# Privacy Blind

This blind, operated like a standard cord / wand blind, gives the ultimate privacy, because no holes in the slats are visible. Extra small holes are used, that are hidden behind the next slat in closed position

## Size limitations

	$W_{\min}$	$W_{\max}$	$H_{\min}$	$H_{\max}$	$S_{\max}$
25mm	320	3300	200	3000	6 m <sup>2</sup>

## Components

1566030204      Univers. Taperoll Support

## Investments

A special punch die to make the small holes in the back of the slats is needed to produce privacy blinds:

Privacy punch die: €2000

[Back](#)[Exploded View](#)[Back to main](#)

# Double Glass

In both domestic as the project business this 'in between glass' blind type is a valuable addition. Two variants are available: either with lift and tilt option (Double Window blind), or just with a single tilting knob (Tiltmaster).

## Size limitations

	W <sub>min</sub>	W <sub>max</sub>	H <sub>min</sub>	H <sub>max</sub>	S <sub>max</sub>
16mm	200	3000	270	2300	6 m <sup>2</sup>
25mm	200	3000	270	3300	6 m <sup>2</sup>

## Components (double Window Blind)

1543330000	Cord Guide Spring	1580050000	Fl.Tors.Rod 40 Unbranded
1543490000	Installation Bracket	1580110000	Fl.Tors.Rod 70 Unbranded
1545050000	Cord Clamp	1580270000	Fl.Tors.Rod 90 Unbranded
1545550952	Suspension Plate Adjust	1580330000	Fl.Tors.Rod 108 Unbranded
1580000000	Torsion Cable 13-3 Hex.	1580380000	Fl.Tors.Rod 133 Unbranded
1580010000	Torsion Cable 20-3 Hex	1581390000	Torsion Rod Bearing

## Components (Tiltmaster)

1561430000	16 / 25 Double Window Bracket
1580440000	Tiltmaster 2.0 M – Hex 3
158048xxxx	Control Knob

## Investments

For double glass blinds no additional tooling is required.

[Back](#)

[Exploded View](#)

[Back to main](#)

# Style (Frontfix)

This type is an elegant, special solution for tilt and turn windows. The head rail is mounted as close to the glass as possible, and is covered by a stylish cover profile. Operation by chain, handle - and - chain or LiteRise® technology

## Size limitations

	$W_{min}$	$W_{max}$	$H_{min}$	$H_{max}$	$S_{max}$
16mm	200	3000	270	2300	6 m <sup>2</sup>
25mm	200	3000	270	3300	6 m <sup>2</sup>

## Components (Style – chain operated)

1565210204 Intermediate Bracket	1565690160 CH. Loop 3.2X500 mm PI
1565220204 Side Guiding Plug	1565700160 CH. Loop 3.2X600 mm PI
1565240193 Valance Length 2.50 M	1565710160 CH. Loop 3.2X800 mm PI
1565270204 Filling Piece Isocorner	1565720160 CH. Loop 3.2X1000 mm PI
1565280204 Filling Piece Intermediate Bracket	1565730160 CH. Loop 3.2X1200 mm PI
1565290204 Filling Piece Side Guiding Plug	1565740160 CH. Loop 3.2X1400 mm PI
1565310204 TAT Corner Assy LH	1565750160 CH. Loop 3.2X1600 mm PI
1565320204 TAT Corner Assy RH	1565760160 CH. Loop 3.2X700 mm PI
1565330204 TAT Contr. Assy LH	1565770160 CH. Loop 3.2X900 mm PI
1565340204 TAT Contr. Assy RH	1565780160 CH. Loop 3.2X1100 mm PI
1565380000 Connecting PC. For Gearbox	
1565670160 CH. Loop 3.2X400 mm PI	

## Investments

For Style blinds no additional tooling is required, other than is required for Handle operated.

[Back](#)

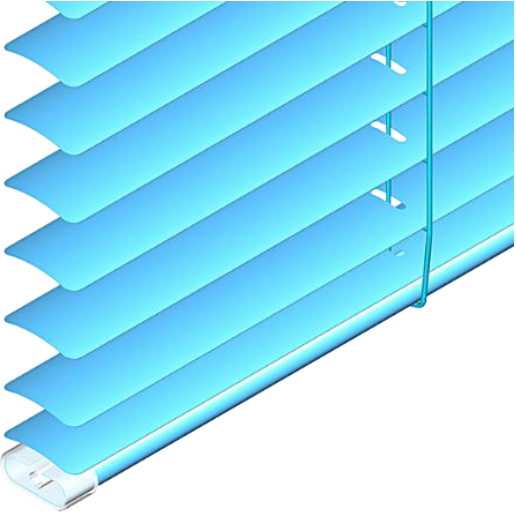
[Exploded View](#)

[Back to main](#)

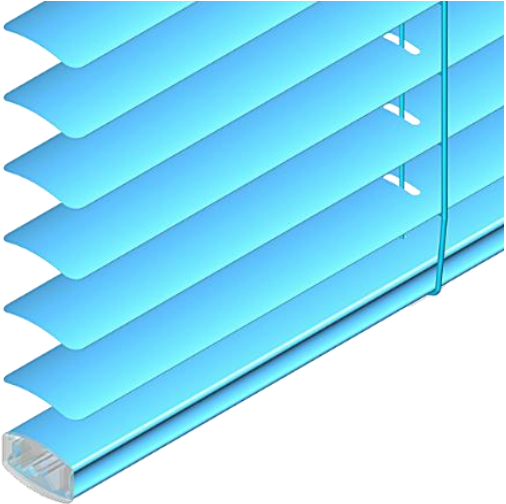


# Bottom rail options

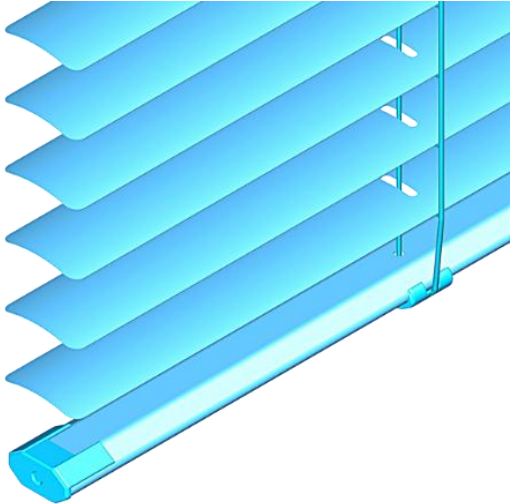
C Open Bottom Rail



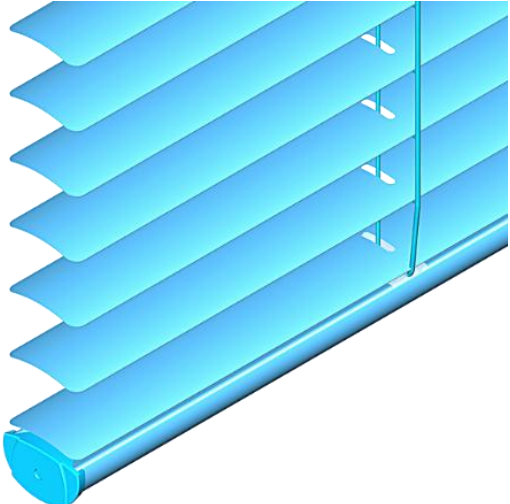
21 Steel Bottom Rail



Ultimate Bottom Rail



EOS Bottom Rail



Back

Back to main

# Special Options

Depending on the chosen operation, a number of special options are available:

## **Two – in – one**

Two (cord / wand operated) blinds in one head rail. Ideal for windows close to each other, where the gap between blinds can be minimal, and the tilt operation can be combined

## **Side Guiding**

A popular option in windy circumstances. Using a tensioned steel wire, the blind can be kept firmly in place, avoiding unpleasant noise or even worse, damage.

## **Hold down brackets**

Perfect solution for tilt and turn windows and doors, keeping the bottom rail fixed in the lowest position. Of course the bottom rail can be detached, so the blind can be closed in a normal way when needed

## **Shapes**

Several special shapes are possible with venetian blind

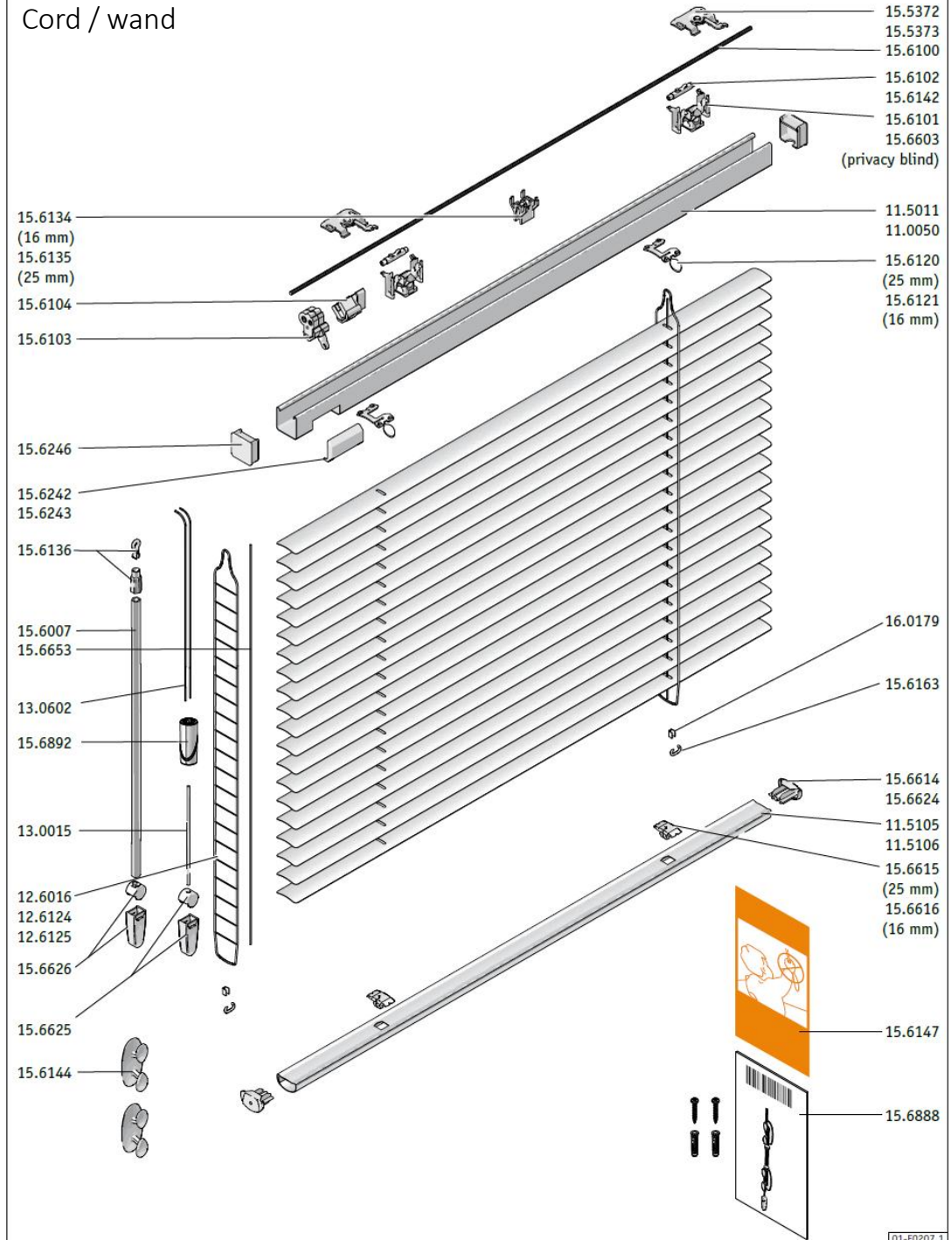
- Round
- Half round
- Angled sides
- Angled head- or bottom rail

## **Humid room**

In humid conditions like bath rooms, it is possible to use aluminium or galvanized head- and bottom rails, to avoid corrosion of the system.

[Back](#)[Back to main](#)

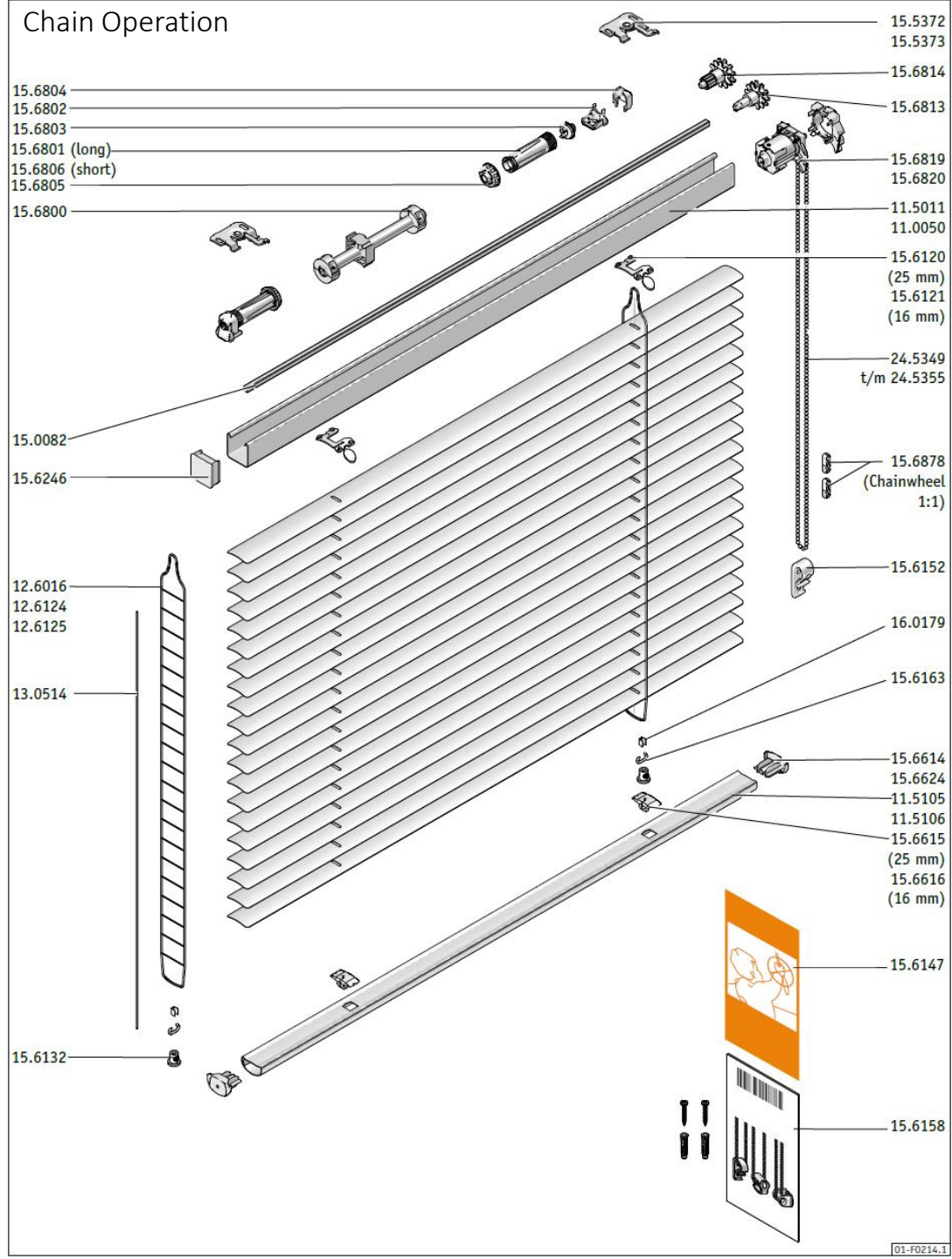
## Cord / wand



[Back](#)

[Back to main](#)

## Chain Operation

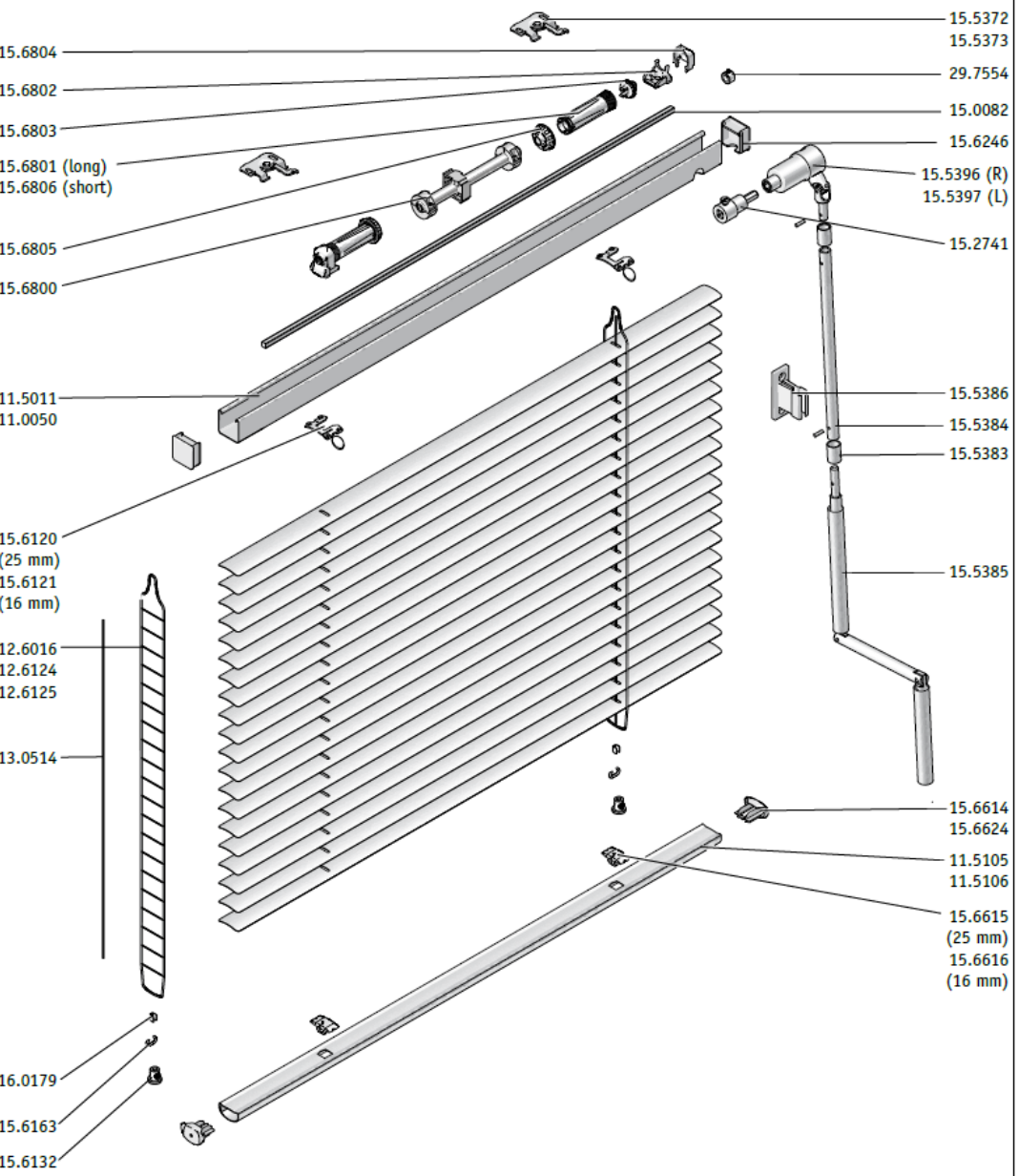


Back

Back to main



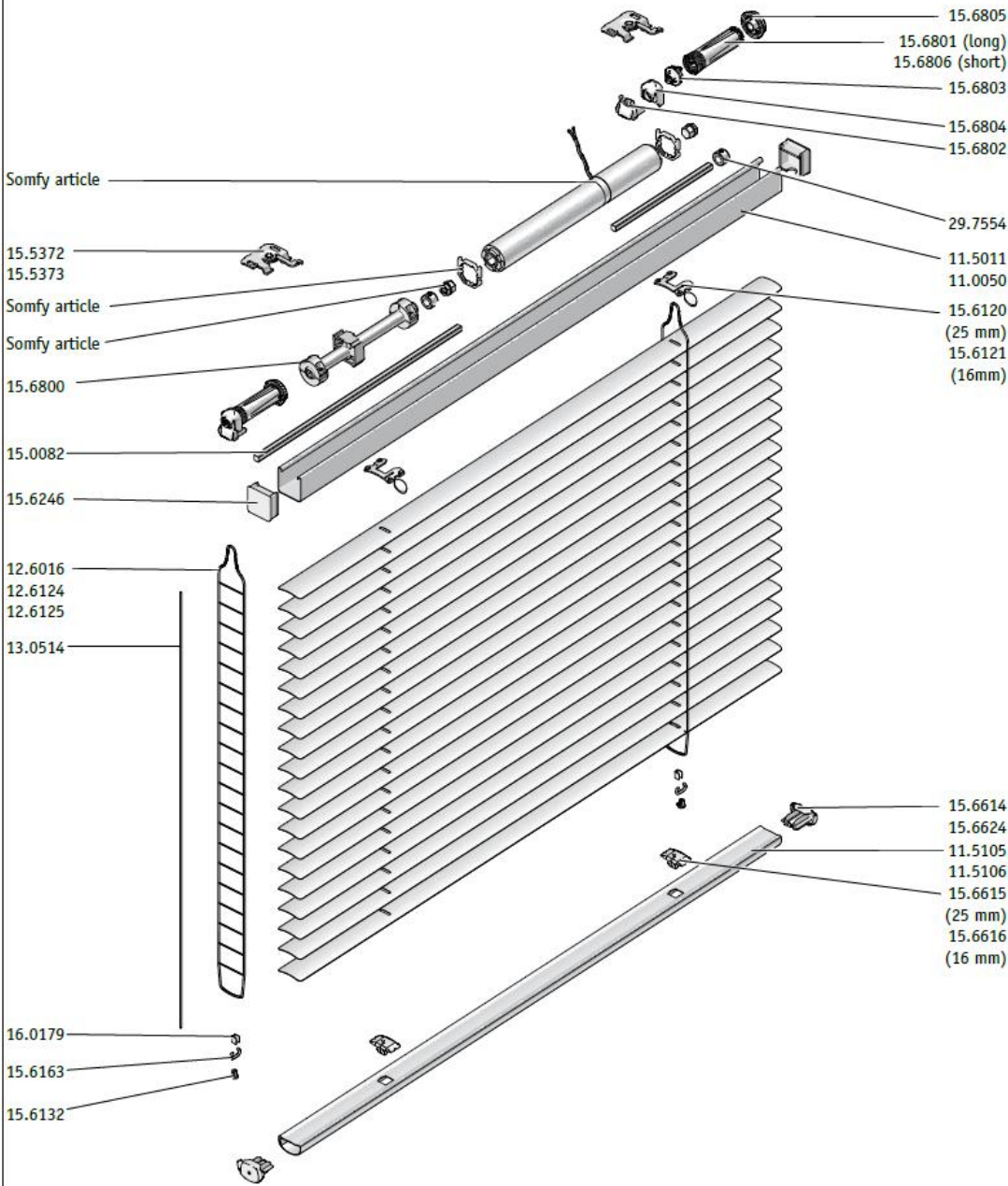
## Crank operation



[Back](#)

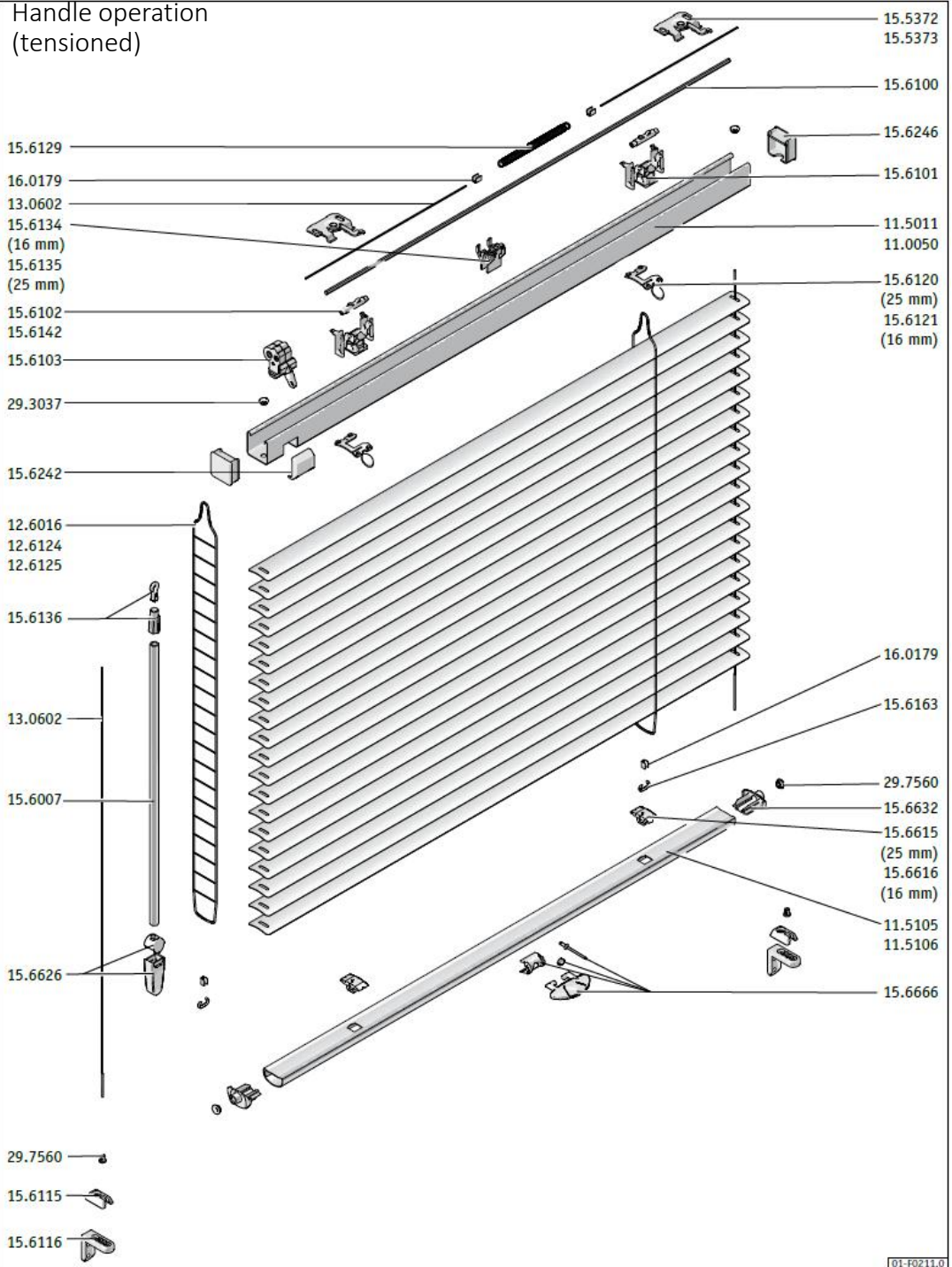
[Back to main](#)

Motorized operation



Back

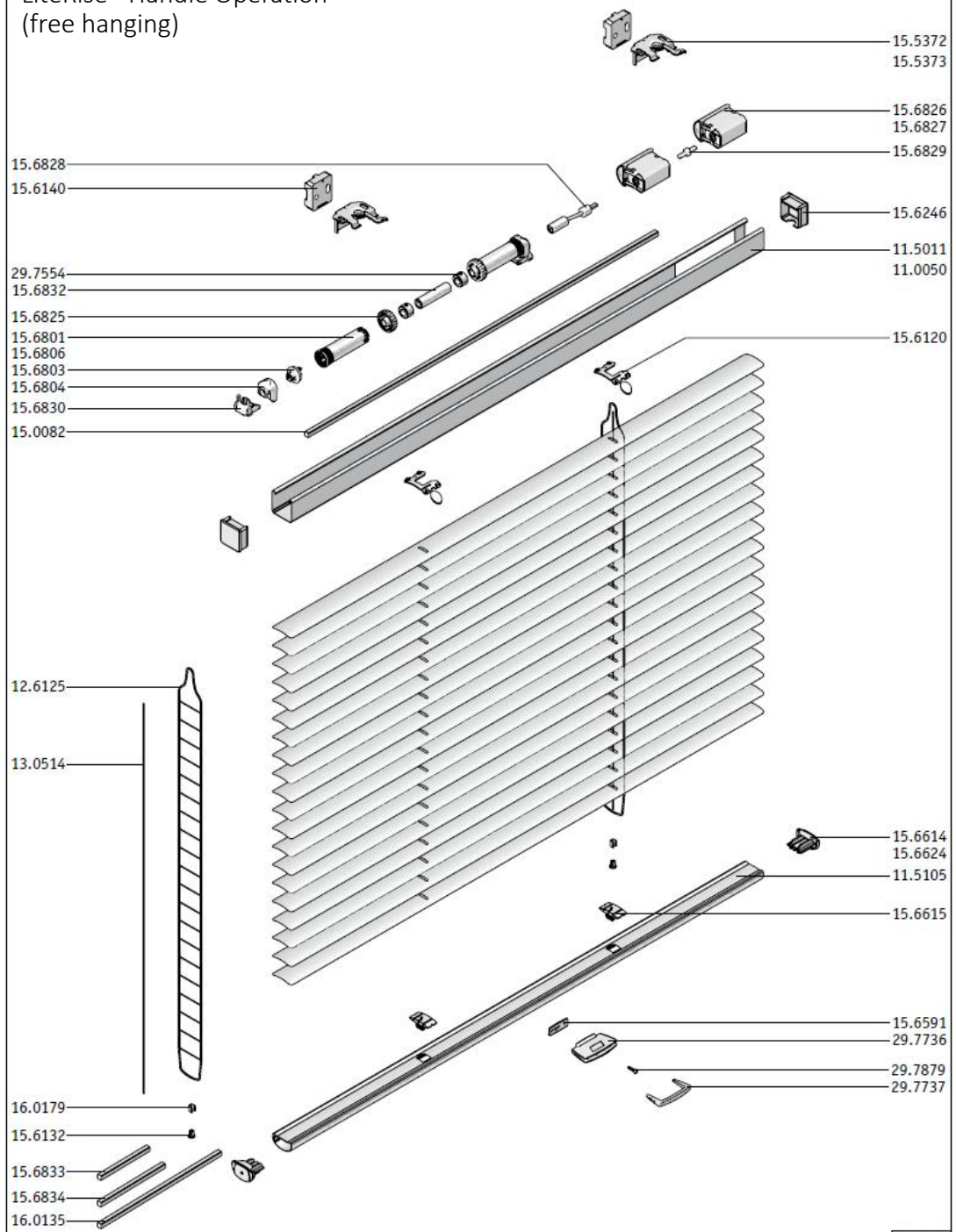
Back to main



Back

Back to main

## LiteRise® Handle Operation (free hanging)

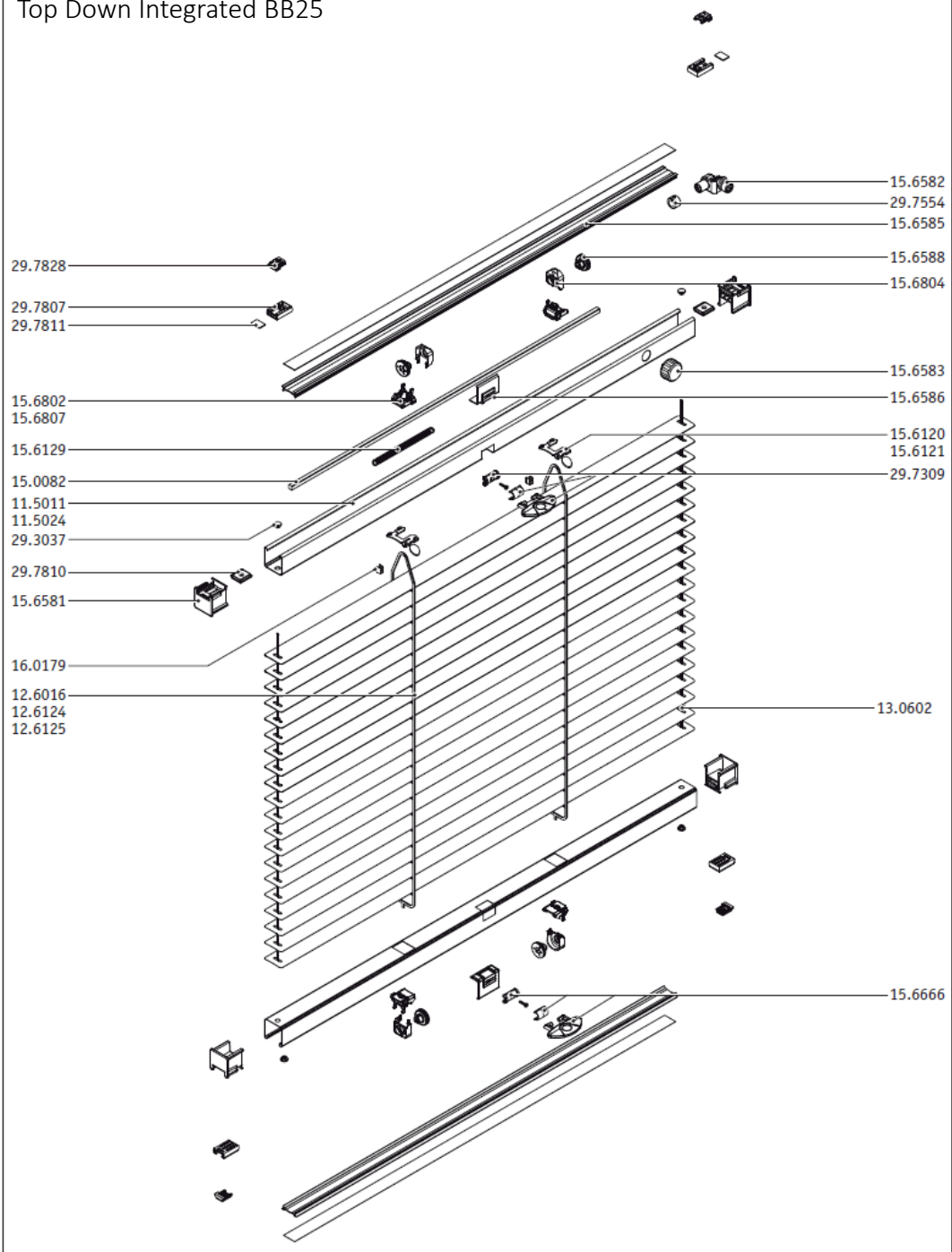


Back

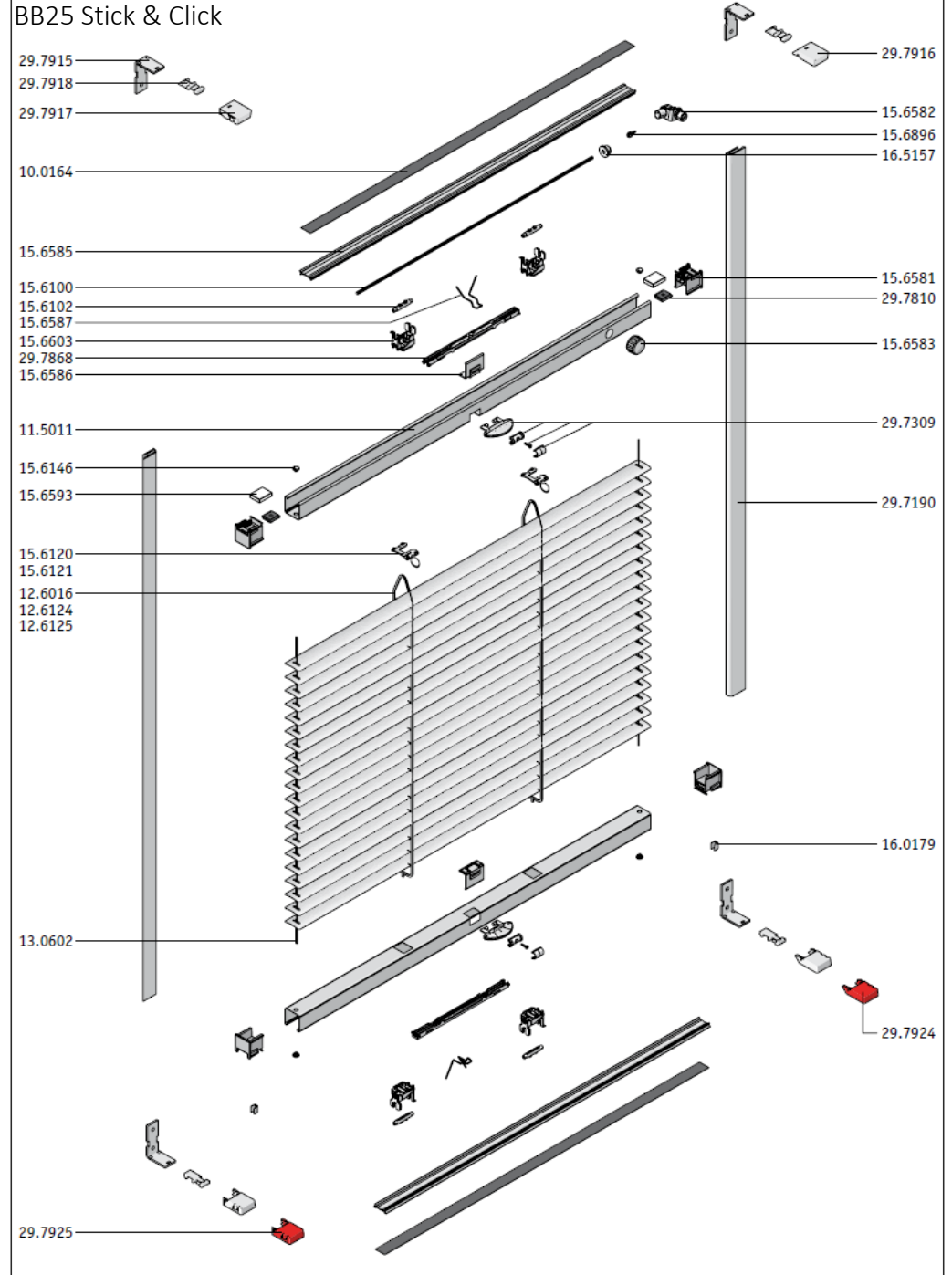
Back to main



# Top Down Integrated BB25



# BB25 Stick & Click

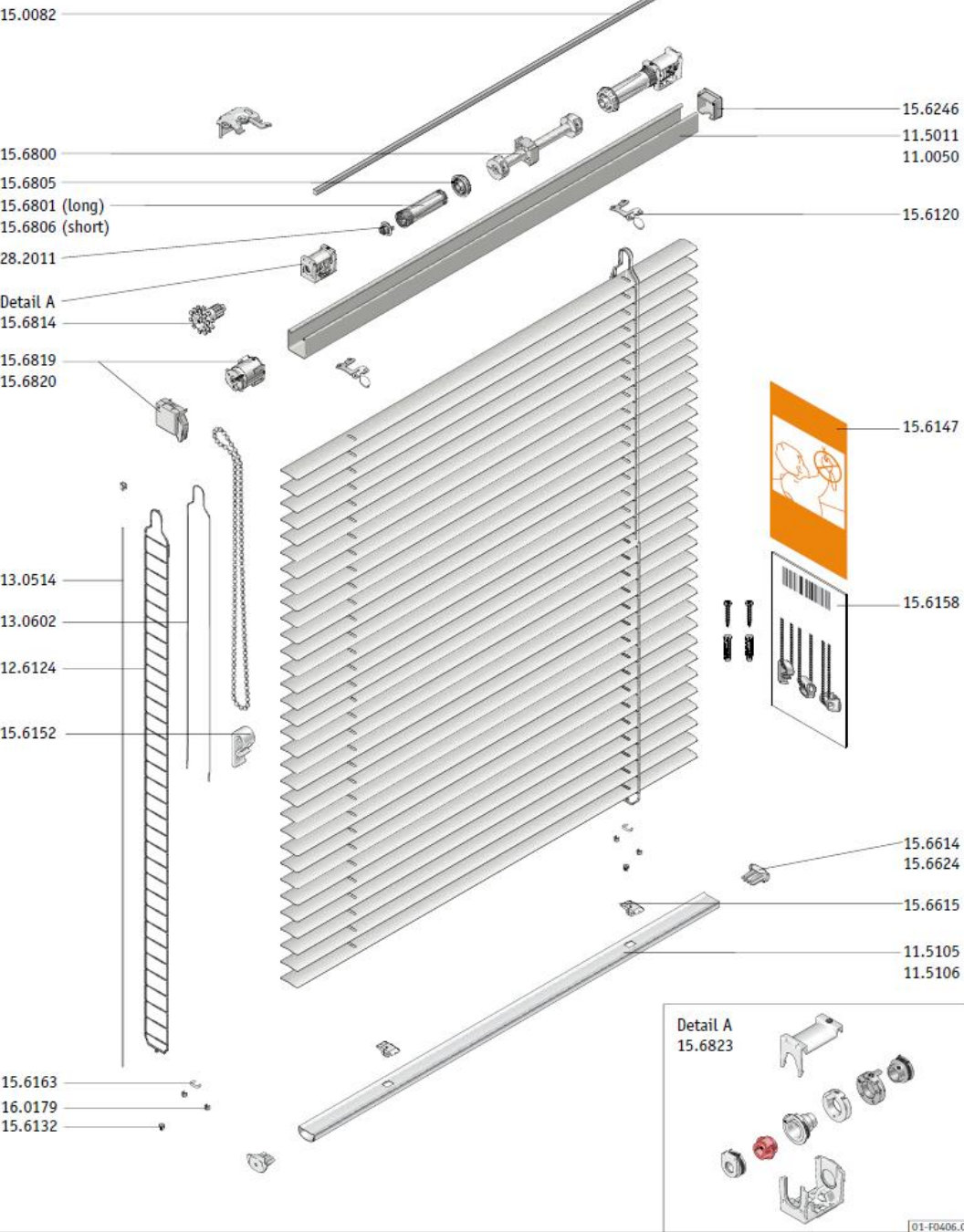


Back

Back to main



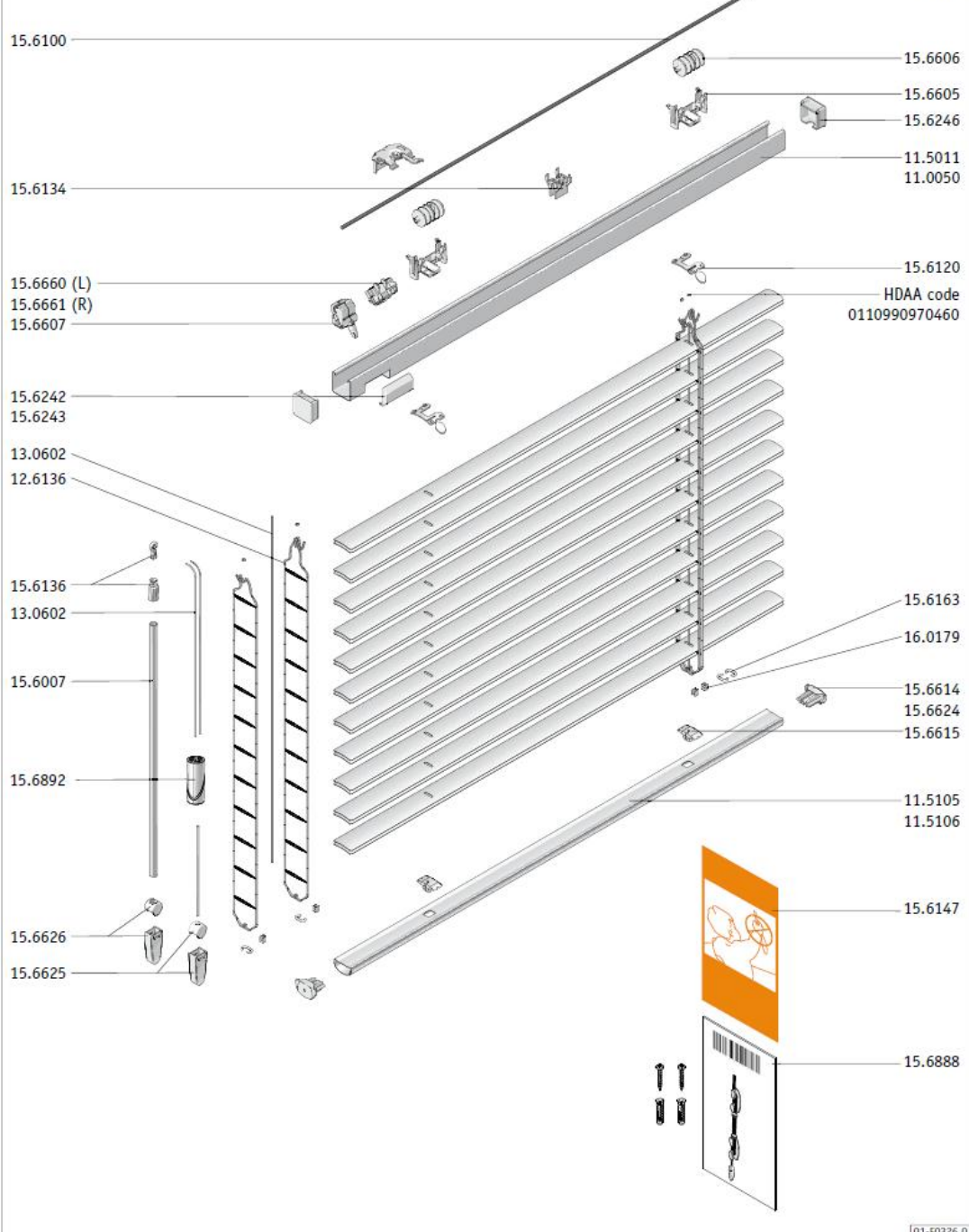
## Varioflex (chain operated)



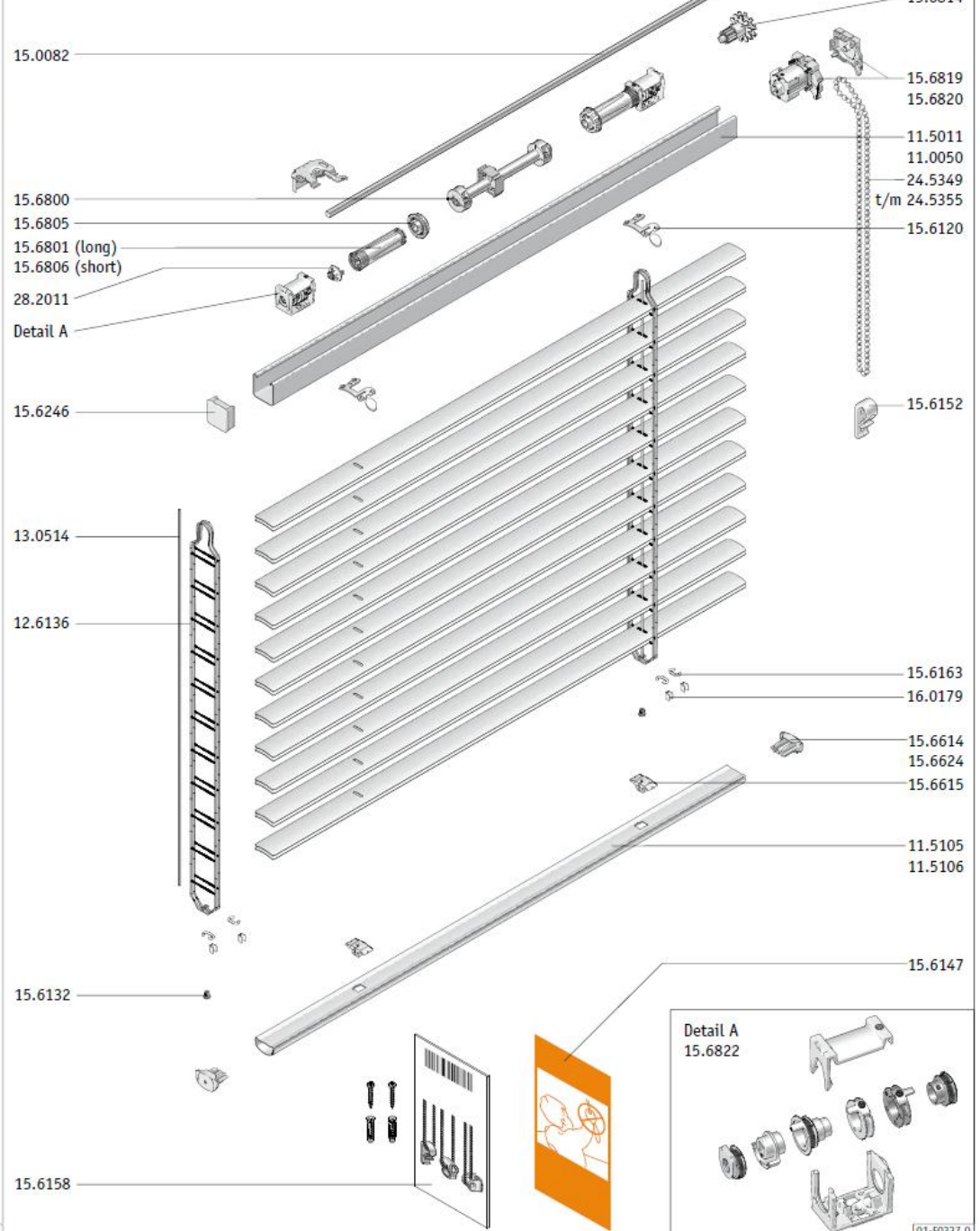
Back

Back to main

## Megaview (cord / wand)



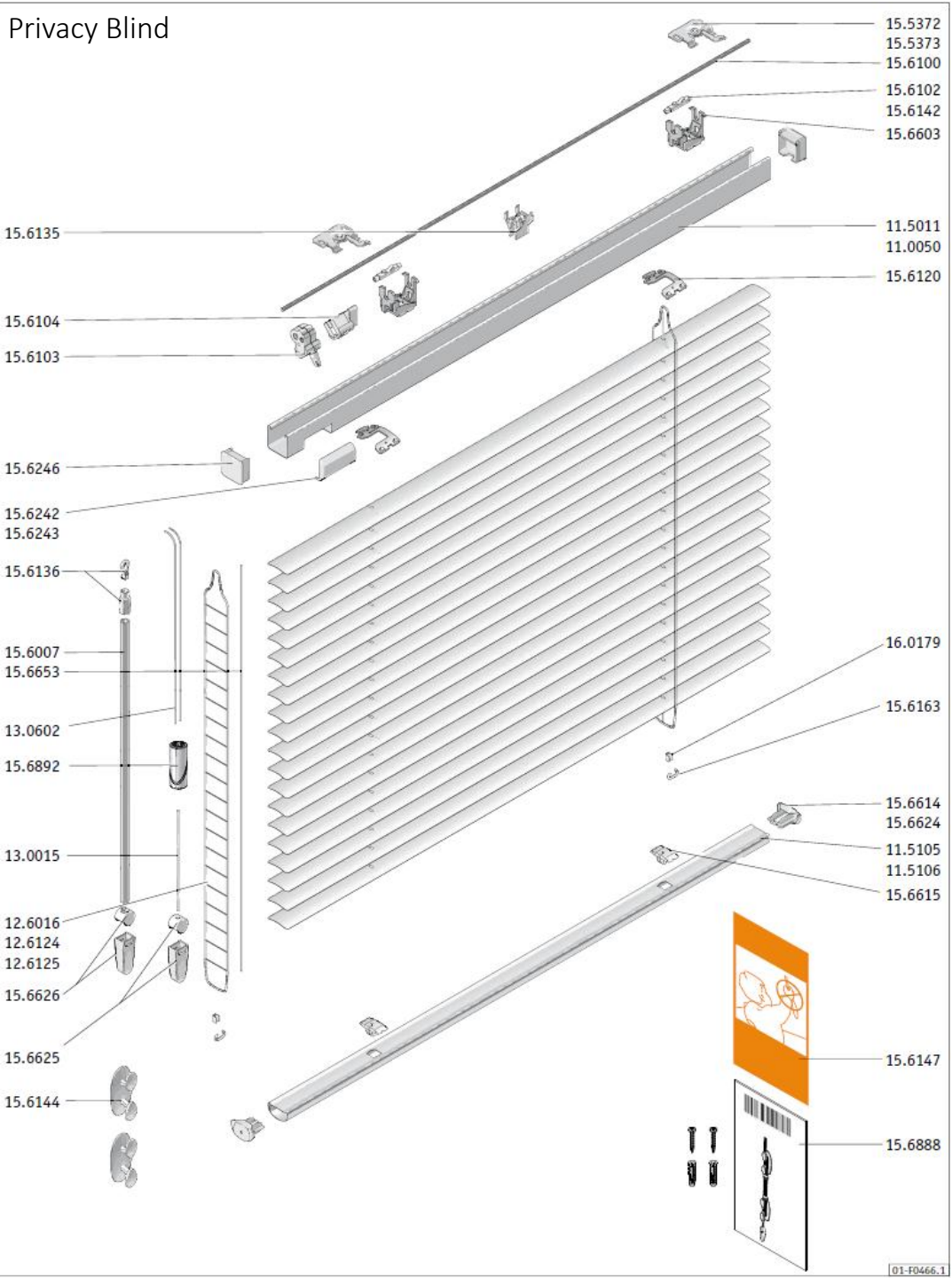
## Megaview (chain operated)



[Back](#)

[Back to main](#)

## Privacy Blind

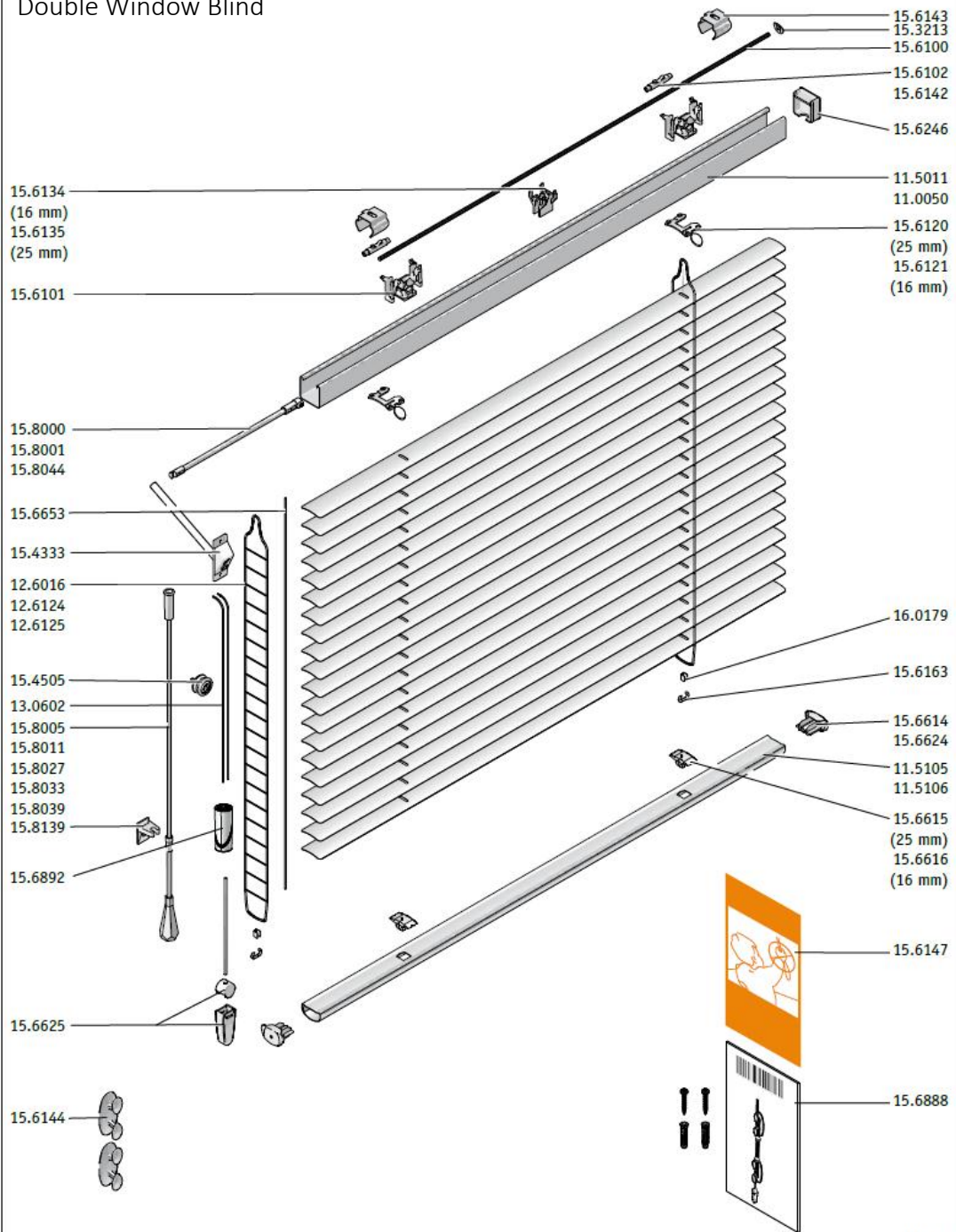


Back

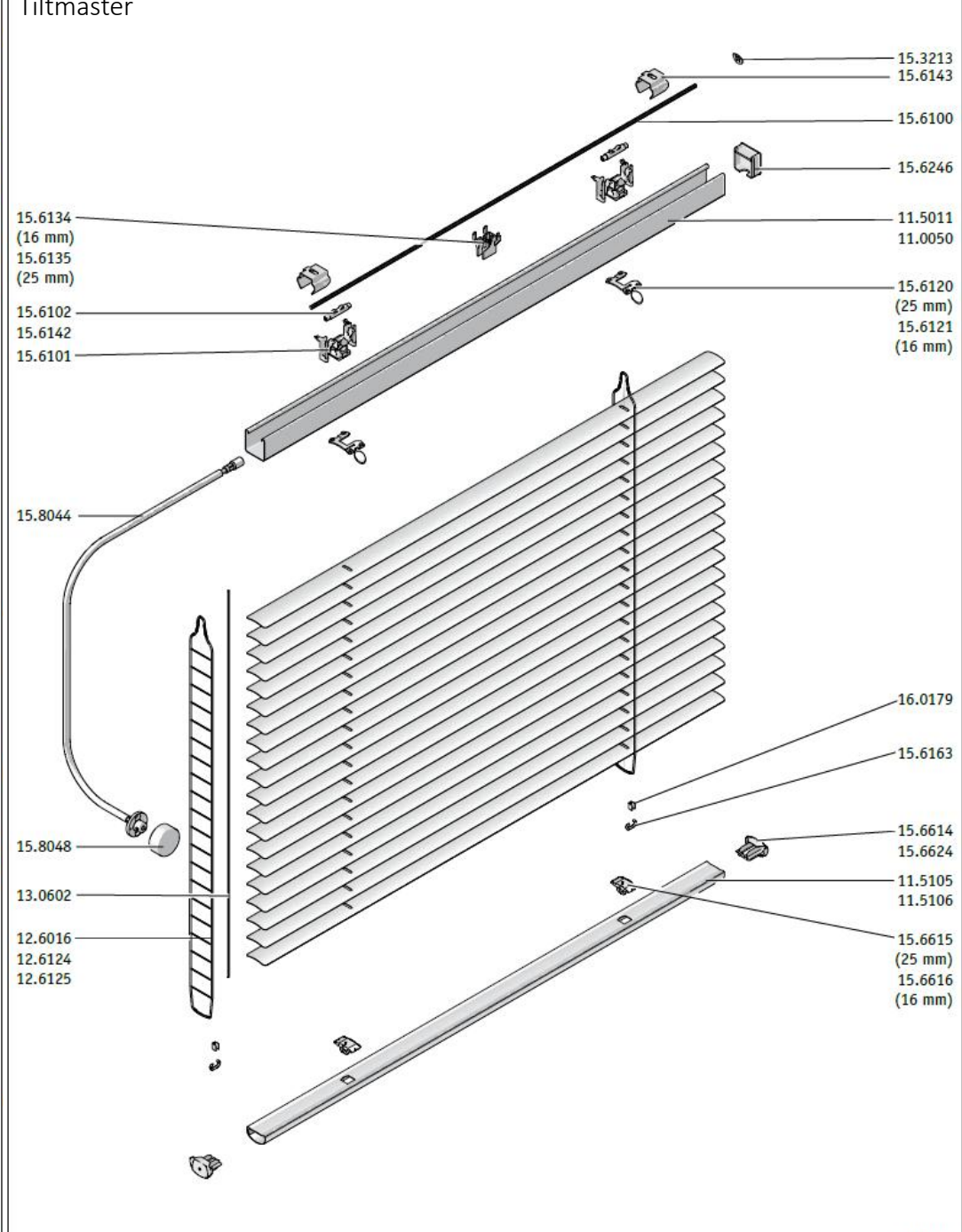
Back to main



## Double Window Blind

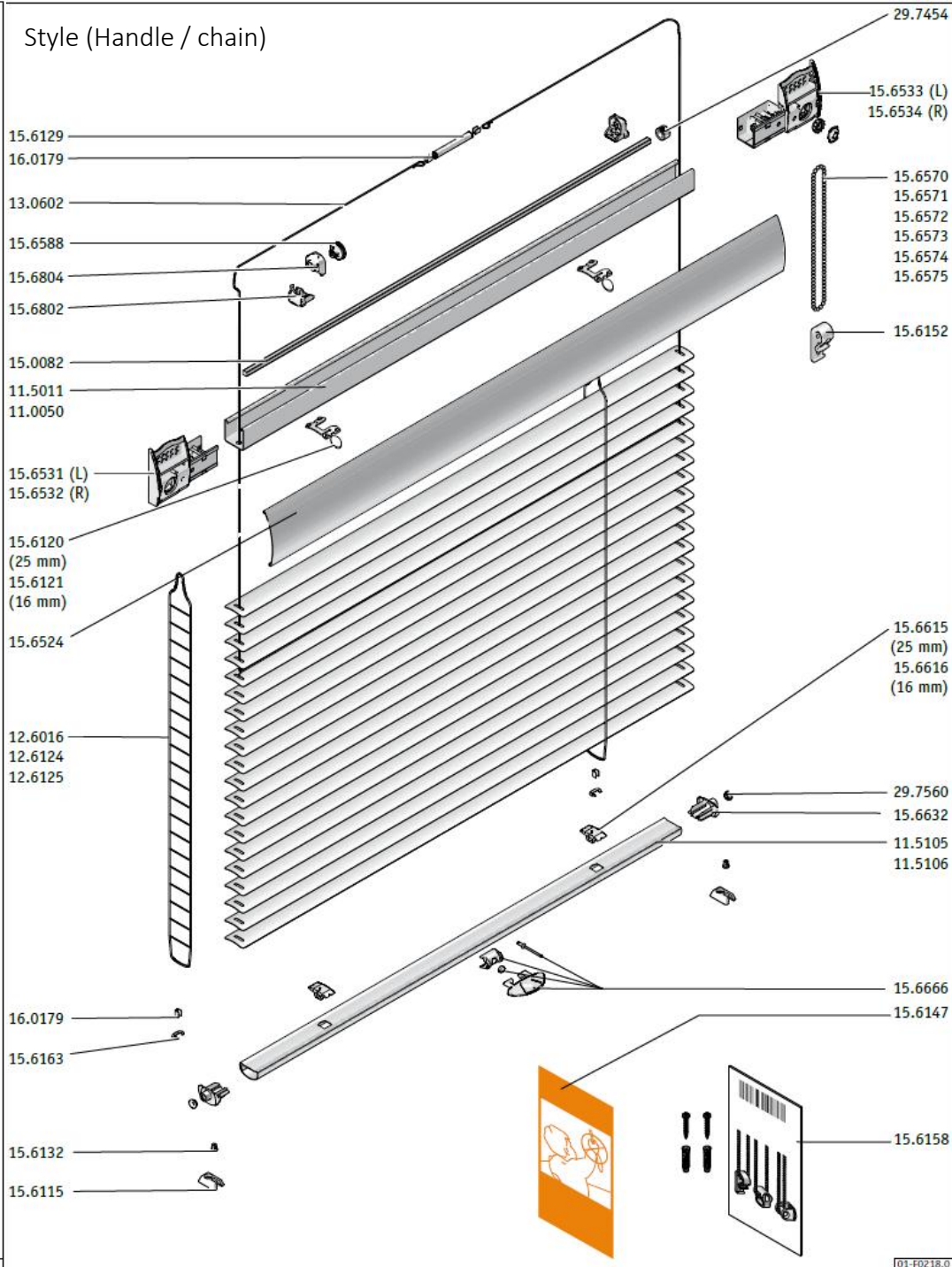
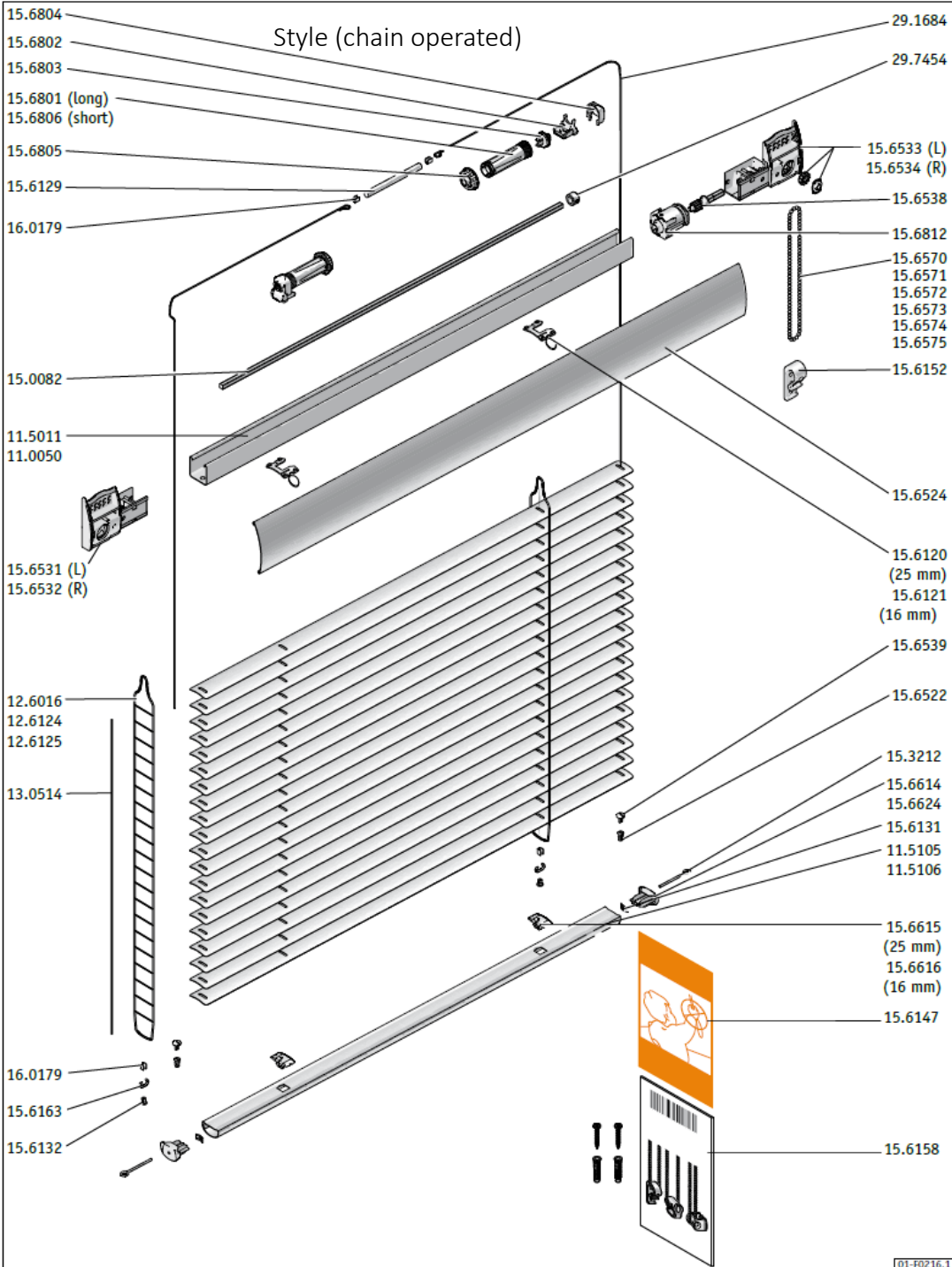


## Tiltmaster



Back

Back to main



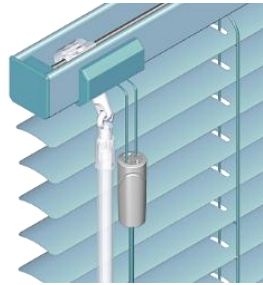
Back

Back to main

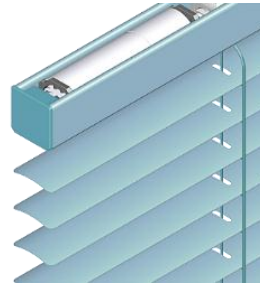


# 25 x 25 System

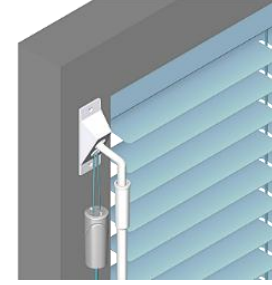
Cord / Wand



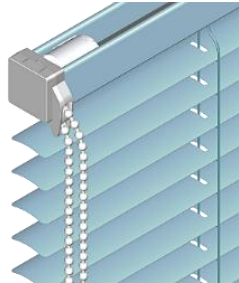
Motorized Operation



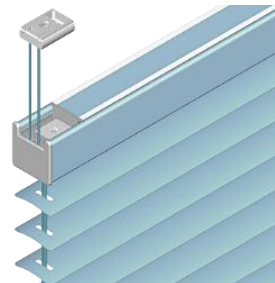
Double Window



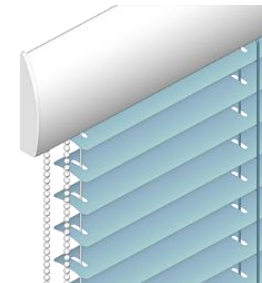
Chain Operated



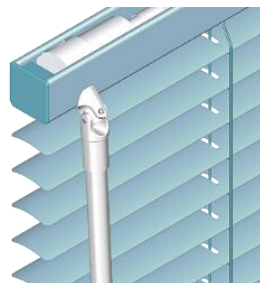
Top Down Integrated



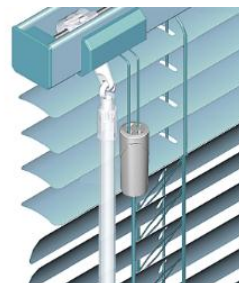
Style



Crank Operated



Duoflex



[Back to main](#)

# Cord Wand

This is the most common, standard operation for a venetian blind. Lifting is done by a cord, tilting with a wand. Both operations can be placed either left or right

## Size limitations

	$W_{\min}$	$W_{\max}$	$H_{\min}$	$H_{\max}$	$S_{\max}$
16mm	320	2300	200	3000	6 m <sup>2</sup>
25mm	320	3300	200	3000	6 m <sup>2</sup>

## Components

For the general parts, needed to produce the standard options, please refer to the exploded view.

## Investments

General investments required to make standard blinds are depending on several factors (like quantities and level of assembly - automation).



Back

Exploded View

Back to main

# Chain Operation

With this 'mono command' blind both tilting and lifting are done in one operation. In this case it is an endless chain, which can be made of either plastic or metal

## Size limitations

	$W_{min}$	$W_{max}$	$H_{min}$	$H_{max}$	$S_{max}$
16mm	380	2700	200	2000	6 m <sup>2</sup>
	460	2700	2000	2300	6 m <sup>2</sup>
25mm	380	3300	200	2000	6 m <sup>2</sup>
	460	3300	2000	3000	6 m <sup>2</sup>

## Components

For the general parts, needed to produce the standard options, please refer to the exploded view

## Investments

General investments required to make standard blinds are depending on several factors (like quantities and level of assembly - automation).

[Back](#)

[Exploded View](#)

[Back to main](#)

# Crank Operation

This version of the 'mono command' blind is operated by a crank. Intrinsically child safe, this operation wand can be either fixed to the blind or detachable

## Size limitations

	$W_{min}$	$W_{max}$	$H_{min}$	$H_{max}$	$S_{max}$
16mm	430	2700	200	2000	6m <sup>2</sup>
	460	2700	2000	2300	6m <sup>2</sup>
25mm	430	3300	200	2000	6m <sup>2</sup>
	460	3300	2000	3000	6m <sup>2</sup>

## Components

For the general parts, needed to produce the standard options, please refer to the exploded view.

## Investments

General investments required to make standard blinds are depending on several factors (like quantities and level of assembly - automation).

[Back](#)

[Exploded View](#)

[Back to main](#)

# Motorized Operation

Ultimately, a mono command blind can be operated electrically. With a 24 volt motor inside, this blind can be operated by switch, remote, or incorporated in a home motion control system

## Size limitations

	$W_{\min}$	$W_{\max}$	$H_{\min}$	$H_{\max}$	$S_{\max}$
16mm	530	2700	200	2000	5 m <sup>2</sup>
16mm	560	2700	2000	2300	5 m <sup>2</sup>
25mm	530	3300	200	2000	5 m <sup>2</sup>
25mm	560	3300	2000	3000	5 m <sup>2</sup>

## Components

For the general parts, needed to produce the standard options, please refer to the exploded view.

## Investments

General investments required to make standard blinds are depending on several factors (like quantities and level of assembly - automation).

[Back](#)

[Exploded View](#)

[Back to main](#)



# Top Down Integrated BB25

Our special tensioned blind, where both the head- and the bottom rail can be moved by handle and thus creating the possibility to have privacy and light regulation while being able to look outside undistracted

## Size limitations

	$W_{min}$	$W_{max}$	$H_{min}$	$H_{max}$	$S_{max}$
16mm	270	1420	200	2300	2 m <sup>2</sup>
25mm	270	1500	200	2500	2 m <sup>2</sup>

## Components

156581xxxx	HR Endcap TDI	Brackets for beadings (optional)
1565820000	Tilter assy TDI	1565930000 Magnet 3 VB TDI
156583xxxx	Tilt knob TDI	156594xxxx Footplate T base set
156584xxxx	Footplate cover VB TDI	156595xxxx Footplate T cover
1565857052	VB Cover Profile TDI	
1565867178	HR Handle Base TDI	Brackets for mounting on face (optional)
1565880204	Tilt ring TDI	297824xxxx Wallsupport small Models B-D
1565890000	Magnet VB TDI	297825xxxx Coverplate for 297824
1565900000	Magnetplate VB TDI	

## Investments

For making TDI blinds one punch to make the hole for the tilt knob and a threading table for tensioning the cord are needed.

Punch for Head rail: € 1300

Threading table: € 2800

[Back](#)

[Exploded View](#)

[Back to main](#)

# Duoflex

With a simple adjustment, any type of blind can be divided into two segments, giving the option to have an opened topside leaving the light coming in, while closing the bottom section for privacy and anti-glare (or vice-versa of course).

## **Size limitations**

The size limitations of a duoflex are equal to the standard version of the product type that is produced.

## **Components**

1601790000      Cordbead

## **Investments**

For Duoflex blinds no additional tooling is required.

[Back](#)[Back to main](#)

# Double Glass

In both domestic as the project business this 'in between glass' blind type is a valuable addition. Two variants are available: either with lift and tilt option (Double Window blind), or just with a single tilting knob (Tiltmaster).

## Size limitations

	W <sub>min</sub>	W <sub>max</sub>	H <sub>min</sub>	H <sub>max</sub>	S <sub>max</sub>
16mm	200	3000	270	2300	6 m <sup>2</sup>
25mm	200	3000	270	3300	6 m <sup>2</sup>

## Components (double Window Blind)

1543330000	Cord Guide Spring	1580050000	Fl.Tors.Rod 40 Unbranded
1543490000	Installation Bracket	1580110000	Fl.Tors.Rod 70 Unbranded
1545050000	Cord Clamp	1580270000	Fl.Tors.Rod 90 Unbranded
1545550952	Suspension Plate Adjust	1580330000	Fl.Tors.Rod 108 Unbranded
1580000000	Torsion Cable 13-3 Hex.	1580380000	Fl.Tors.Rod 133 Unbranded
1580010000	Torsion Cable 20-3 Hex	1581390000	Torsion Rod Bearing

## Components (Tiltmaster)

1561430000	16 / 25 Double Window Bracket
1580470000	Tiltmaster 2.0 M
158048xxxx	Control Knob

## Investments

For double glass blinds no additional tooling is required.

[Back](#)

[Exploded View](#)

[Back to main](#)

## Style (Frontfix)

This type is an elegant, special solution for tilt and turn windows. The head rail is mounted as close to the glass as possible, and is covered by a stylish cover profile. Operation is done by endless chain.

### Size limitations

	W <sub>min</sub>	W <sub>max</sub>	H <sub>min</sub>	H <sub>max</sub>	S <sub>max</sub>
16mm	200	3000	270	2300	6 m <sup>2</sup>
25mm	200	3000	270	3300	6 m <sup>2</sup>

### Components

1565210204 Intermediate Bracket	1565670160 CH. Loop 3.2X400 mm PI
1565220204 Side Guiding Plug	1565690160 CH. Loop 3.2X500 mm PI
1565240193 Valance Length 2.50 M	1565700160 CH. Loop 3.2X600 mm PI
1565270204 Filling Piece Isocorner	1565710160 CH. Loop 3.2X800 mm PI
1565280204 Filling Piece Intermediate Bracket	1565720160 CH. Loop 3.2X1000 mm PI
1565290204 Filling Piece Side Guiding Plug	1565730160 CH. Loop 3.2X1200 mm PI
1565310204 TAT Corner Assy LH	1565740160 CH. Loop 3.2X1400 mm PI
1565320204 TAT Corner Assy RH	1565750160 CH. Loop 3.2X1600 mm PI
1565330204 TAT Contr. Assy LH	1565760160 CH. Loop 3.2X700 mm PI
1565340204 TAT Contr. Assy RH	1565770160 CH. Loop 3.2X900 mm PI
1565380000 Connecting PC. For Gearbox	1565780160 CH. Loop 3.2X1100 mm PI

### Investments

For Frontfix blinds a side guiding hole is needed in the head rail:

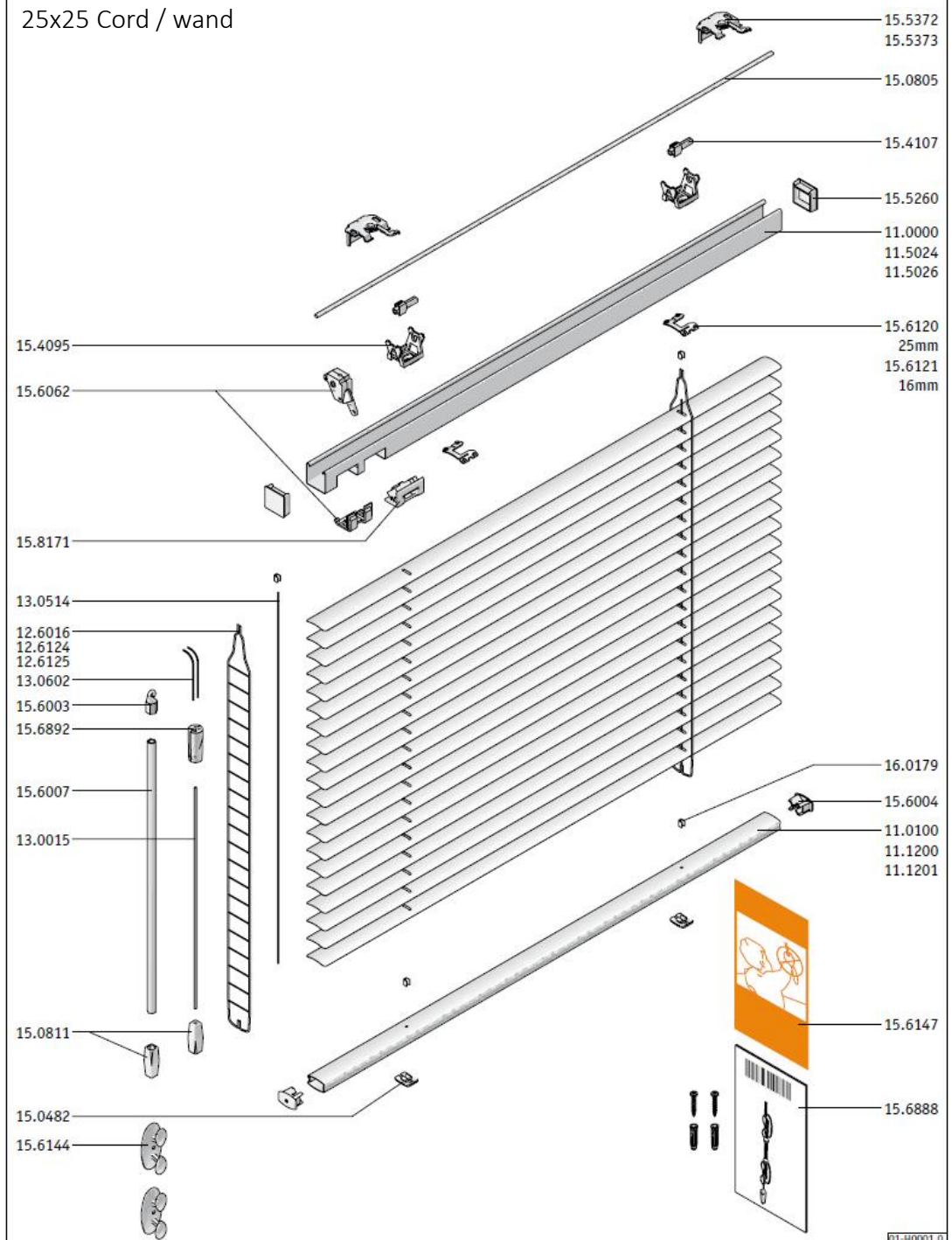
Side guiding die for head rail Machine: €4300

Side guiding pliers: €920

[Back](#)

[Exploded View](#)

[Back to main](#)

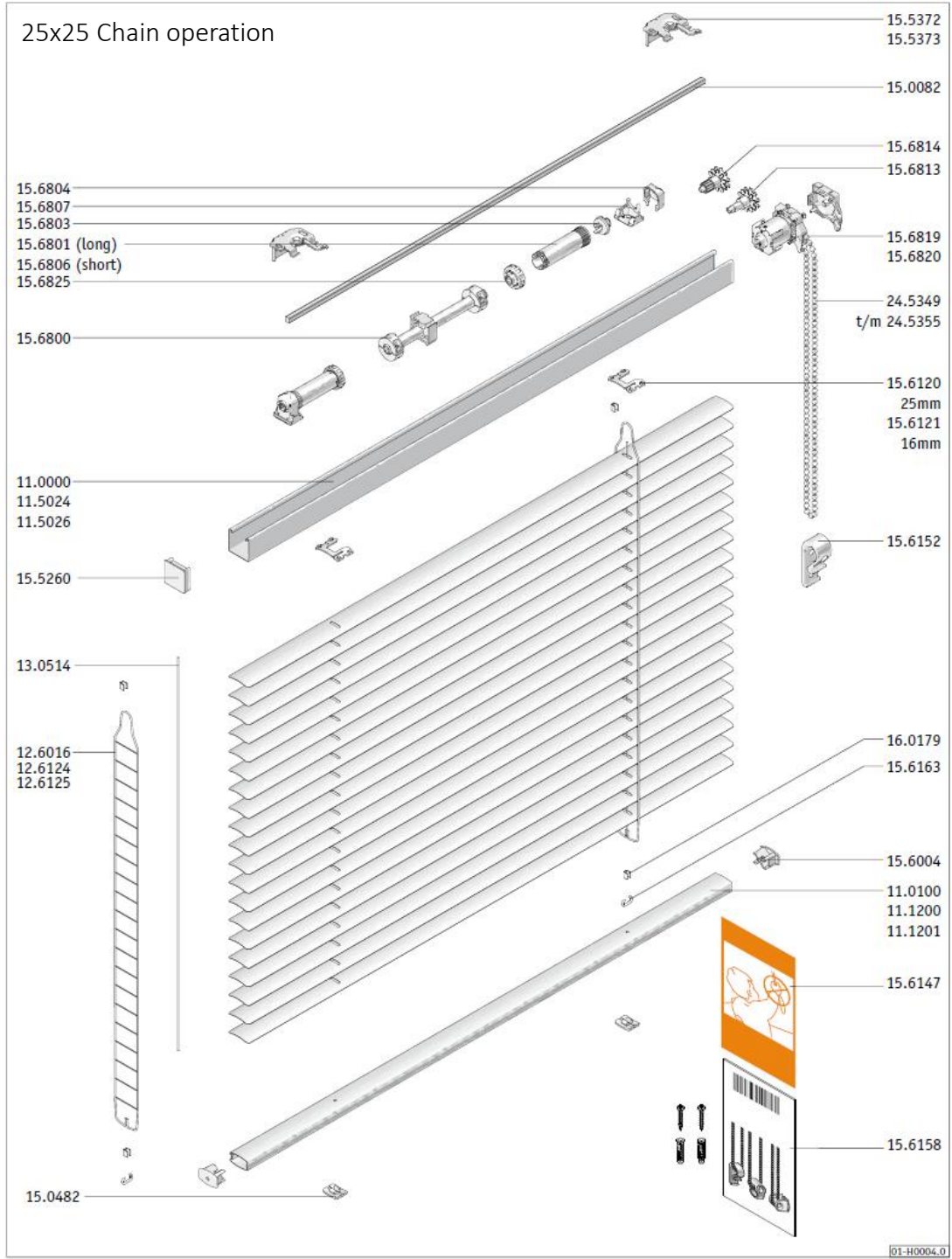


Back

Back to main



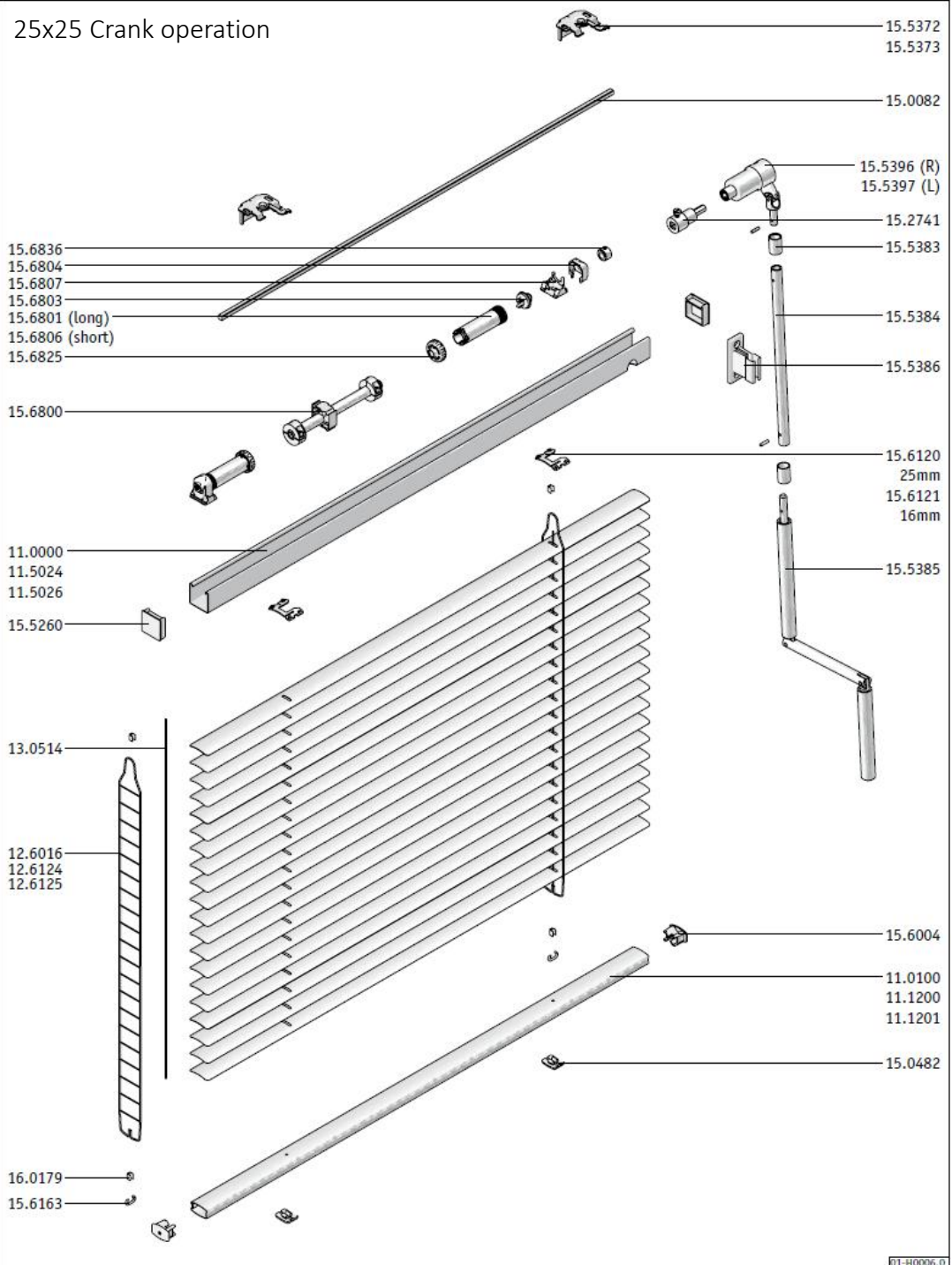
## 25x25 Chain operation



Back

Back to main

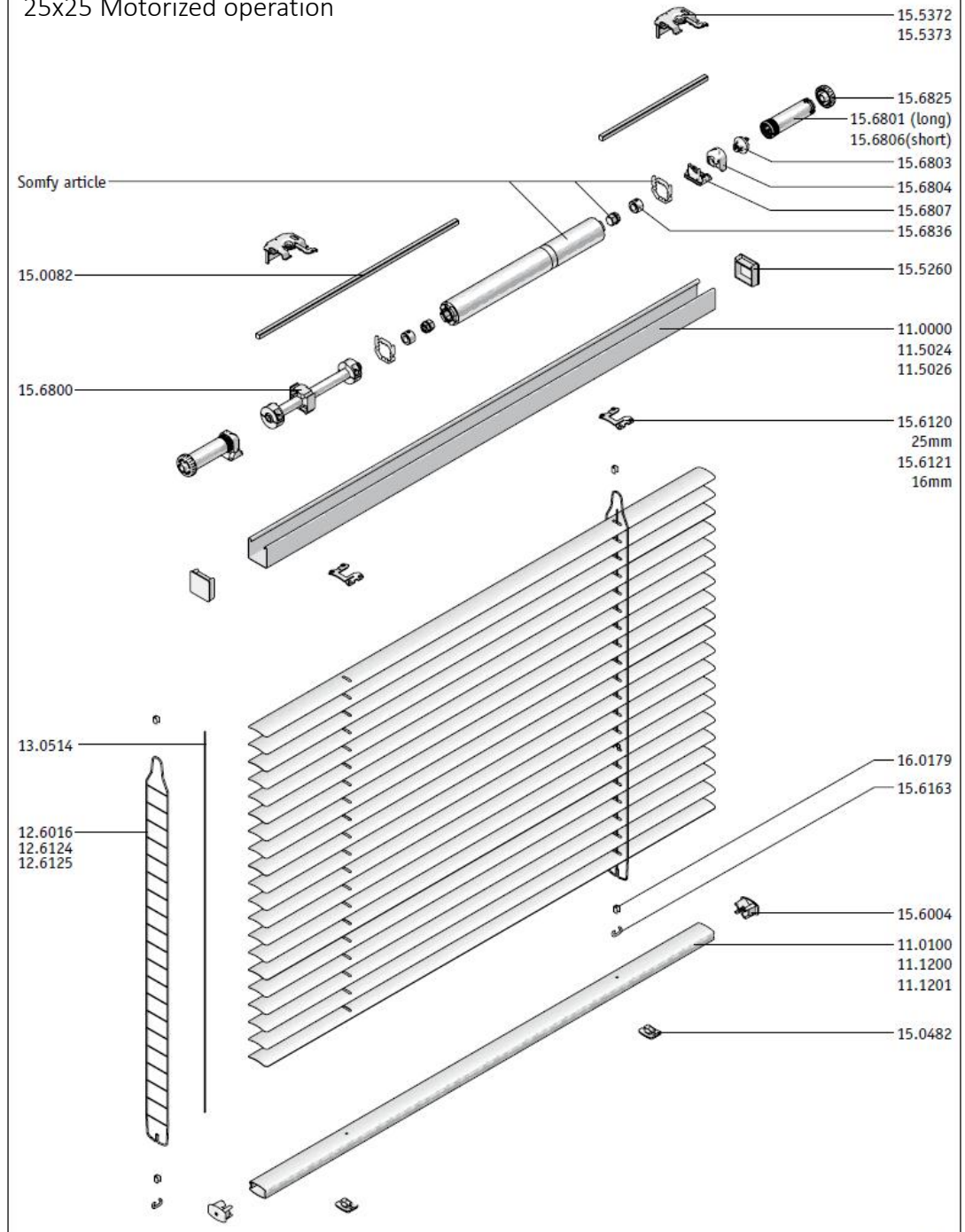
## 25x25 Crank operation



[Back](#)

[Back to main](#)

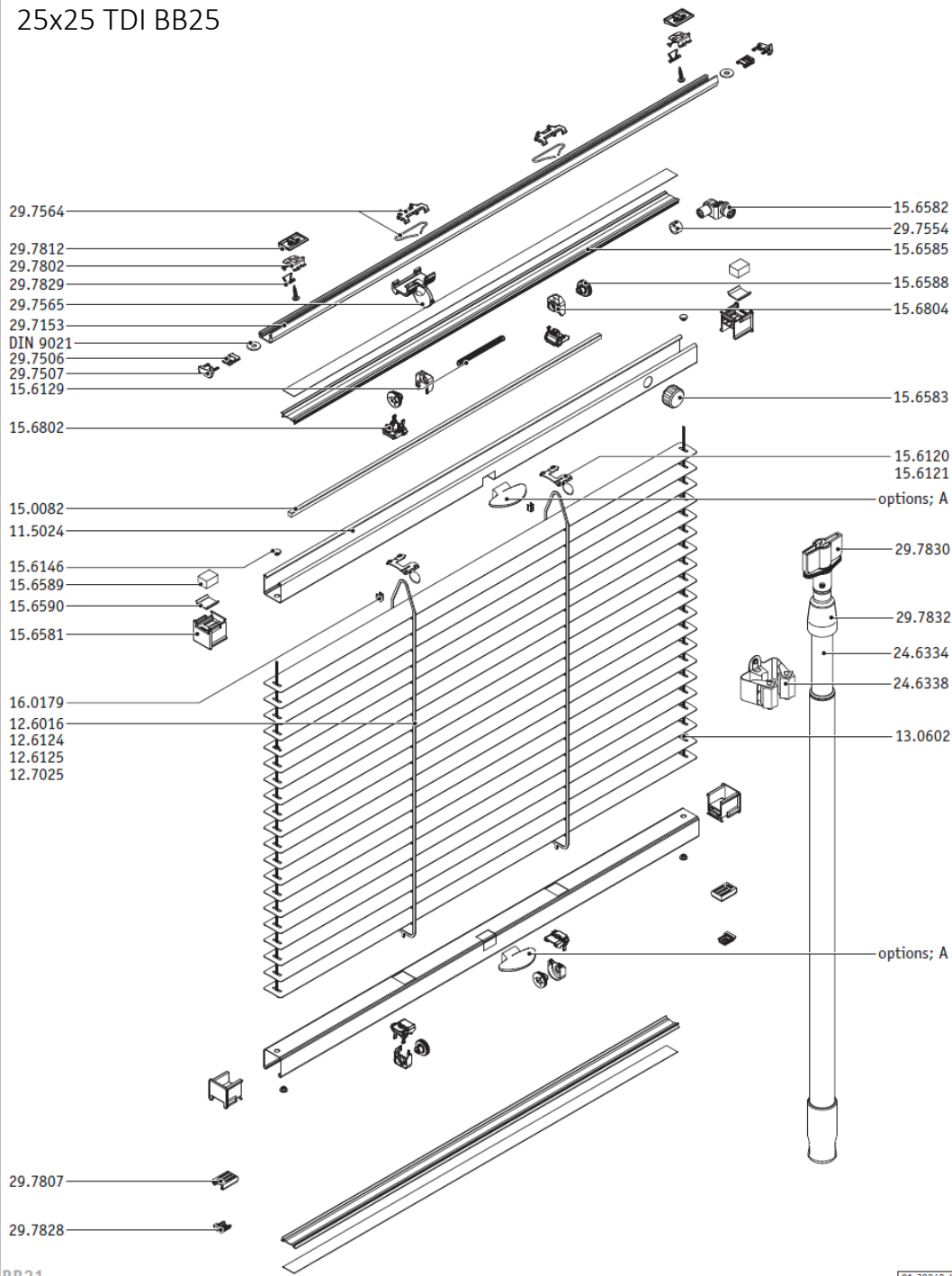
## 25x25 Motorized operation



Back

Back to main

## 25x25 TDI BB25

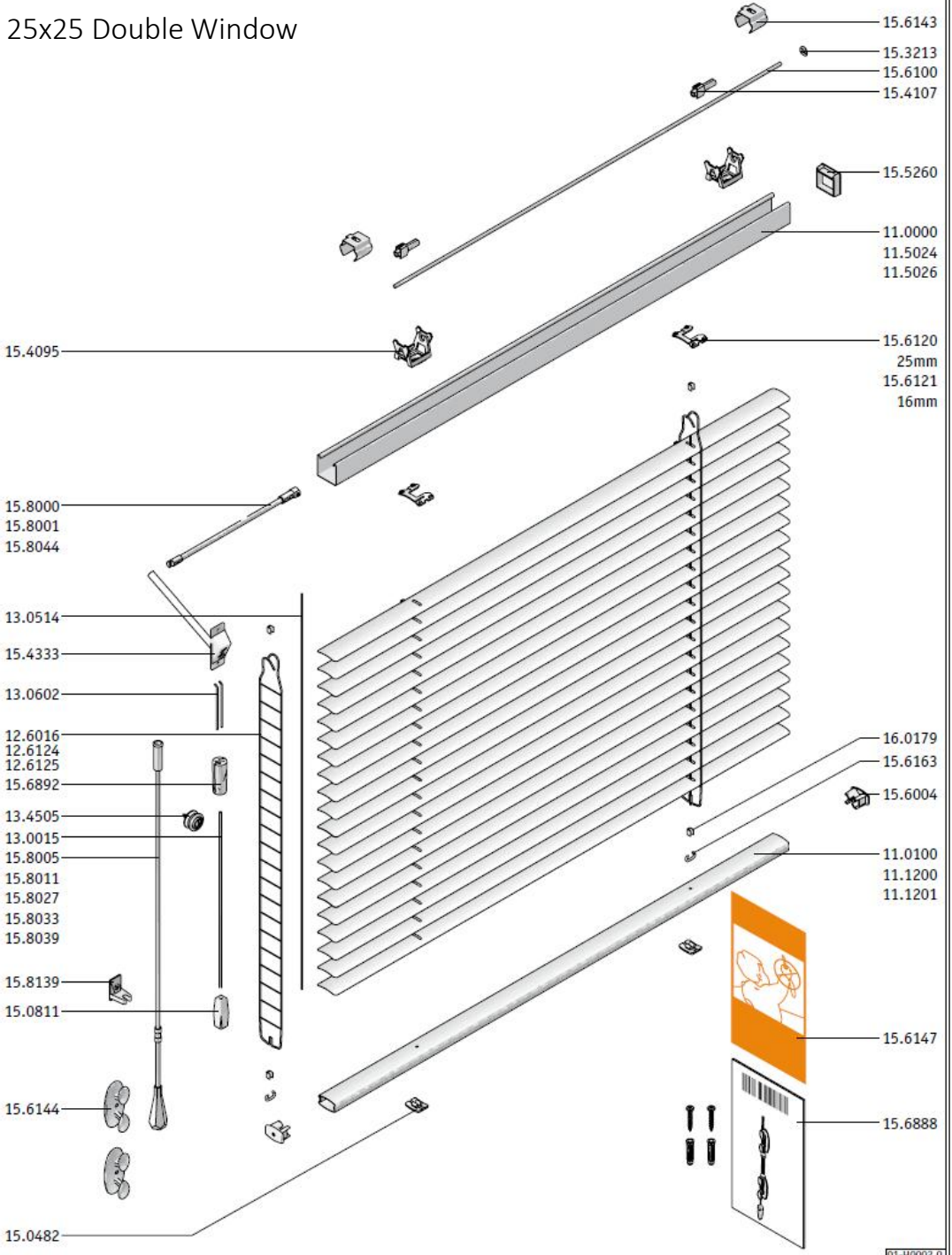


Back

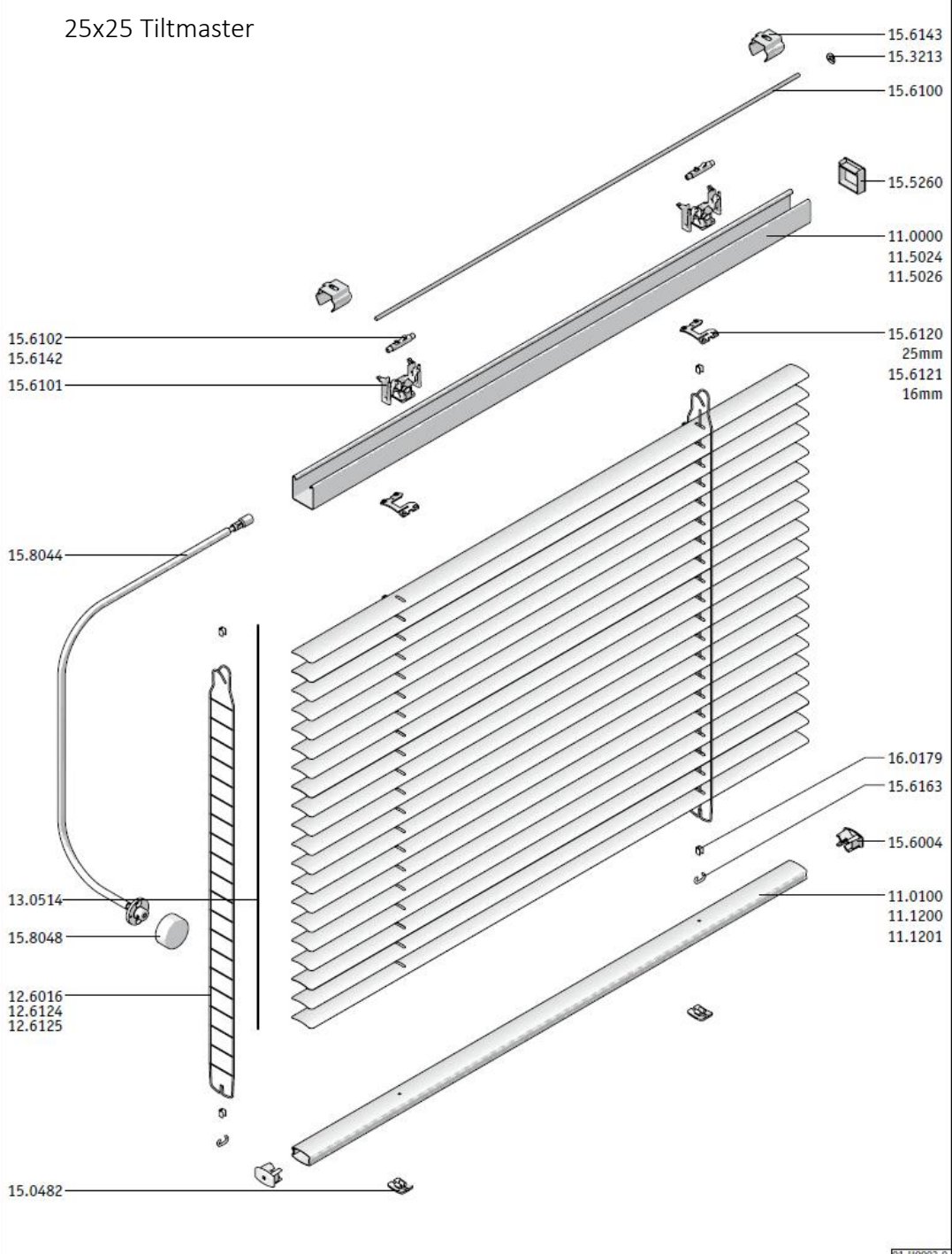
Back to main



## 25x25 Double Window



## 25x25 Tiltmaster

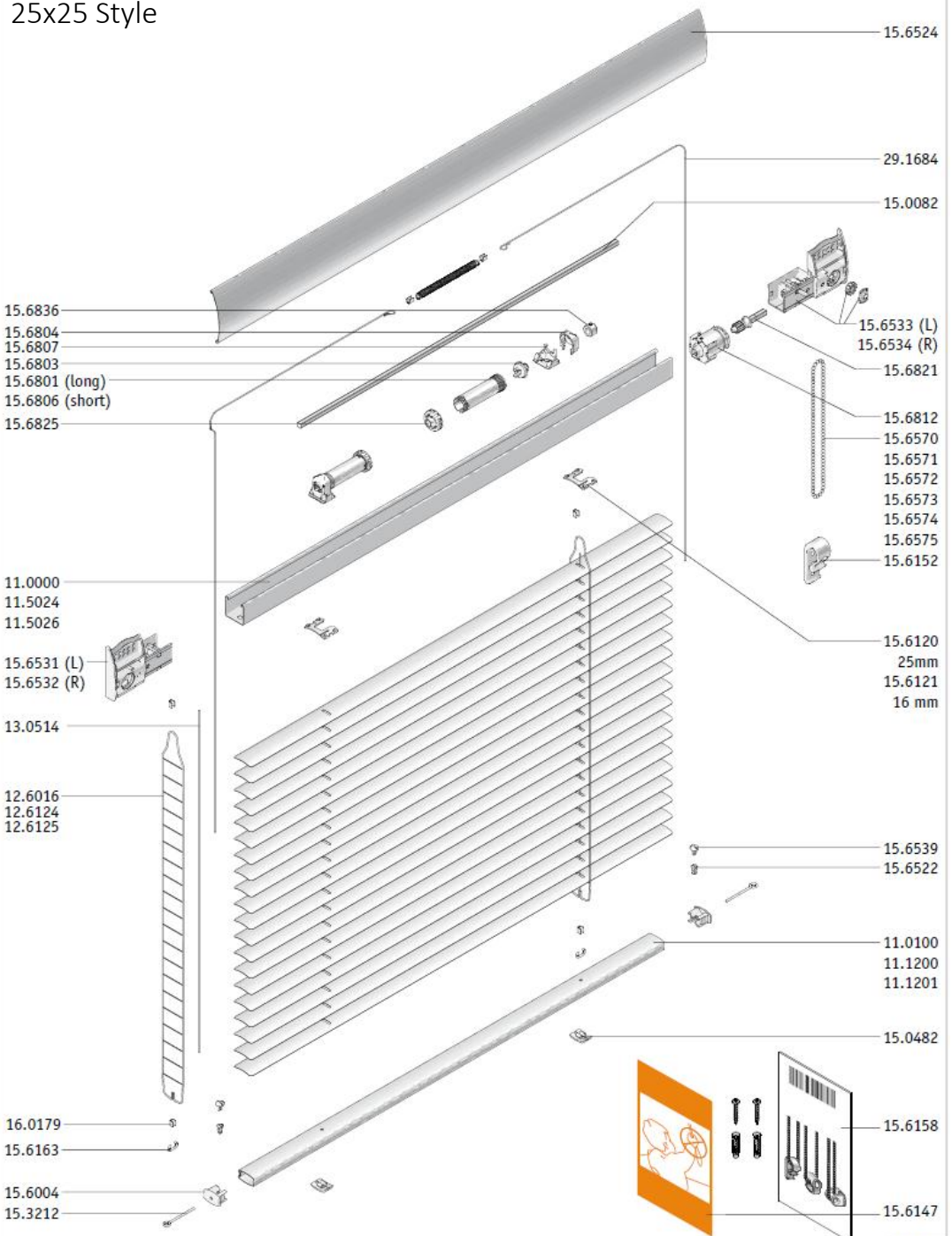


[Back](#)

[Back to main](#)



## 25x25 Style

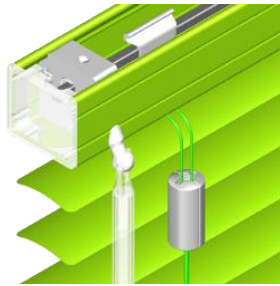


[Back](#)

[Back to main](#)

# 35 mm VB

Cord / Wand



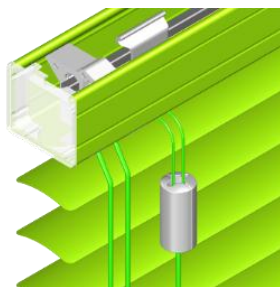
Endless Cord Operation



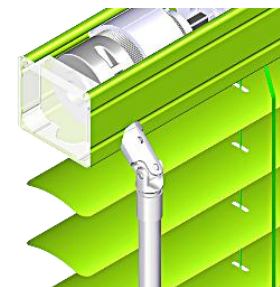
Motorized Operation



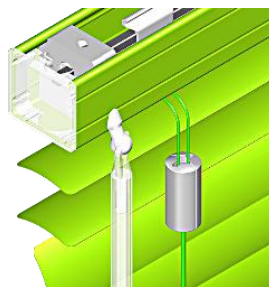
Cord / Cord



Crank Operation



Duoflex



# 35mm Cord Wand

This is the most common, standard operation for a venetian blind. Lifting and tilting are operated by a cord. Both operations can be placed either left or right

## Size limitations

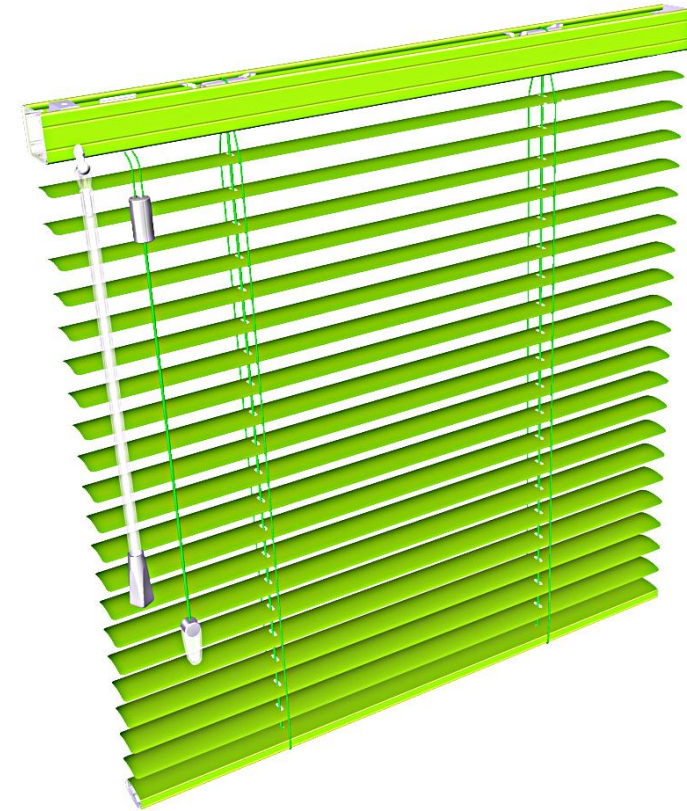
$W_{\min}$	$W_{\max}$	$H_{\min}$	$H_{\max}$	$S_{\max}$
360	4000	200	3000	9 m <sup>2</sup>

## Components

For the general parts, needed to produce the standard options, please refer to our technical manual.

## Investments

General investments required to make standard blinds are depending on several factors (like quantities and level of assembly - automation).

[Back](#)[Back to main](#)

# 35 mm Cord Cord

This is the most common, standard operation for a venetian blind. Lifting is done by a cord, tilting with a wand. Both operations can be placed either left or right

## Size limitations

$W_{\min}$	$W_{\max}$	$H_{\min}$	$H_{\max}$	$S_{\max}$
360	4000	200	3000	9 m <sup>2</sup>

## Components

For the general parts, needed to produce the standard options, please refer to our technical manual.

## Investments

General investments required to make standard blinds are depending on several factors (like quantities and level of assembly – automation).

[Back](#)[Back to main](#)

# 35 mm Endless Cord Operation

With this 'mono command' blind both tilting and lifting are done in one operation. In this case it is an endless cord, which can be positioned either at the side or at the front of the head rail.

## Size limitations

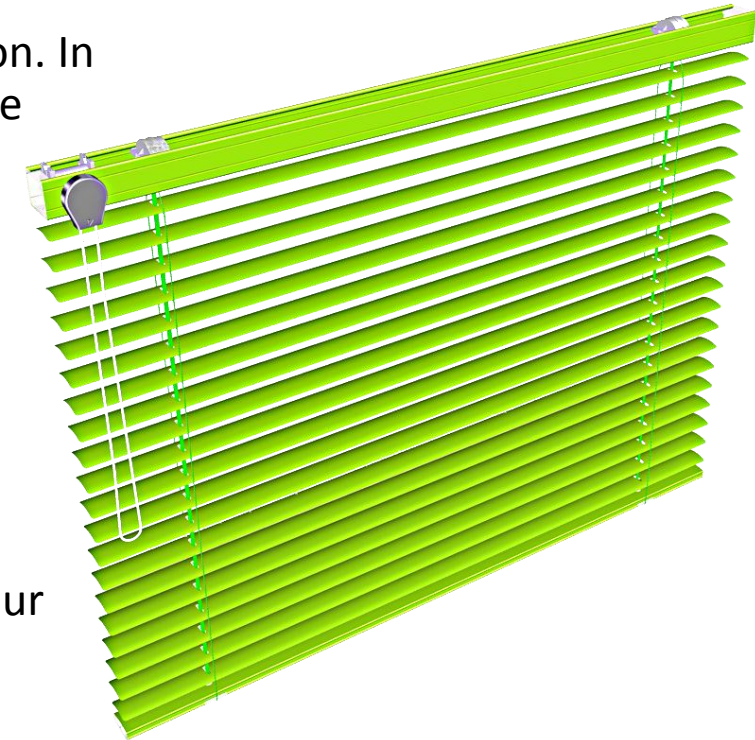
$W_{\min}$	$W_{\max}$	$H_{\min}$	$H_{\max}$	$S_{\max}$
450	4000	400	2000	6 m <sup>2</sup>
550	4000	2000	3000	6 m <sup>2</sup>

## Components

For the general parts, needed to produce the standard options, please refer to our technical manual.

## Investments

General investments required to make standard blinds are depending on several factors (like quantities and level of assembly – automation).



[Back](#)

[Back to main](#)



# 35 mm Crank Operation

This version of the 'mono command' blind is operated by a crank. Intrinsically child safe, this operation wand can be either fixed to the blind or detachable

## Size limitations

$W_{min}$	$W_{max}$	$H_{min}$	$H_{max}$	$S_{max}$
450	4000	400	2000	10 m <sup>2</sup>
450	4000	2000	3000	10 m <sup>2</sup>

## Components

For the general parts, needed to produce the standard options, please refer to our technical manual.

## Investments

General investments required to make standard blinds are depending on several factors (like quantities and level of assembly – automation).

[Back](#)

[Back to main](#)

# 35 mm Motorized Operation

Ultimately, a mono command blind can be operated electrically. With a 24 or 230 volt motor inside, this blind can be operated by switch, remote, or incorporated in a home motion control system

## Size limitations (24V)

$W_{\min}$	$W_{\max}$	$H_{\min}$	$H_{\max}$	$S_{\max}$
600	4000	400	3000	4.5 m <sup>2</sup>

## Size limitations (230V)

$W_{\min}$	$W_{\max}$	$H_{\min}$	$H_{\max}$	$S_{\max}$
600	4000	400	3000	9 m <sup>2</sup>

## Components

For the general parts, needed to produce the standard options, please refer to our technical manual.

## Investments

General investments required to make standard blinds are depending on several factors (like quantities and level of assembly – automation).

[Back](#)[Back to main](#)

# 35 mm Duoflex

With a simple adjustment, any type of blind can be divided into two segments, giving the option to have an opened topside leaving the light coming in, while closing the bottom section for privacy and anti-glare (or vice-versa of course).

## **Size limitations**

The size limitations of a duoflex are equal to the standard version of the product type that is produced.

## **Components**

1601790000          Cordbead

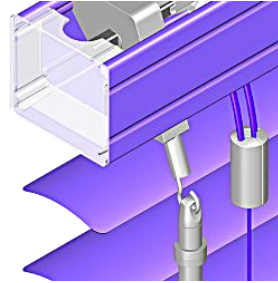
## **Investments**

For Duoflex blinds no additional tooling is required.

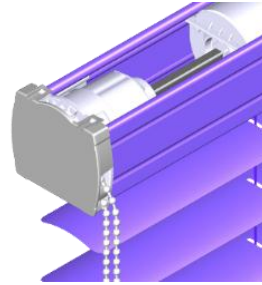
[Back](#)[Back to main](#)

# 50 / 70 mm VB

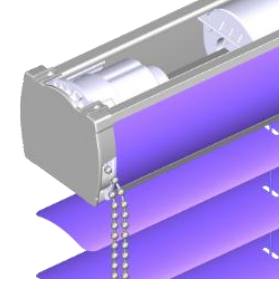
Cord / Wand



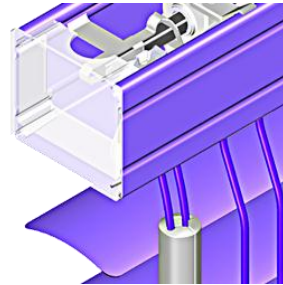
Chain Operated



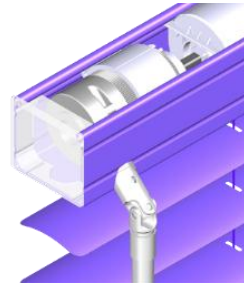
Chain Operated Design



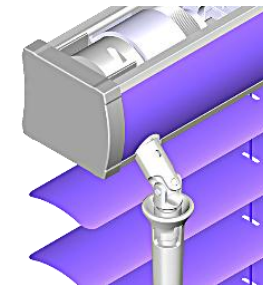
Cord / Cord



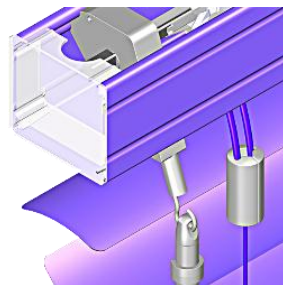
Crank Operated



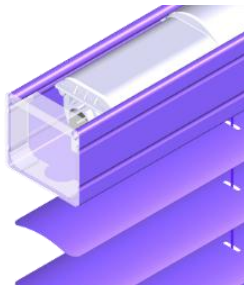
Crank Operated Design



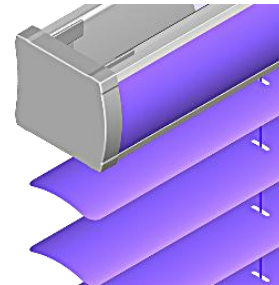
Duoflex



Motorized Operation



Motorized Design



[Back to main](#)

# 50 / 70 mm Cord Wand

This is standard operation works identical to the standard operations for 16, 25 and 35mm. Lifting is done by a cord, tilting with a wand. Both operations can be placed either left or right.

## Size limitations 50 mm and 70 mm

$W_{\min}$	$W_{\max}$	$H_{\min}$	$H_{\max}$	$S_{\max}$
450	5000	200	4000	12.5 m <sup>2</sup>

## Components

For the general parts, needed to produce the standard options, please refer to the exploded view.

## Investments

General investments required to make standard blinds are depending on several factors (like quantities and level of assembly – automation).

[Back](#)[Exploded View](#)[Back to main](#)



# 50 / 70 mm Cord Cord

This is the most common, standard (and classic) operation for a 50 mm venetian blind. Lifting and tilting are both done by a cord. Both operations can be placed either left or right

## Size limitations

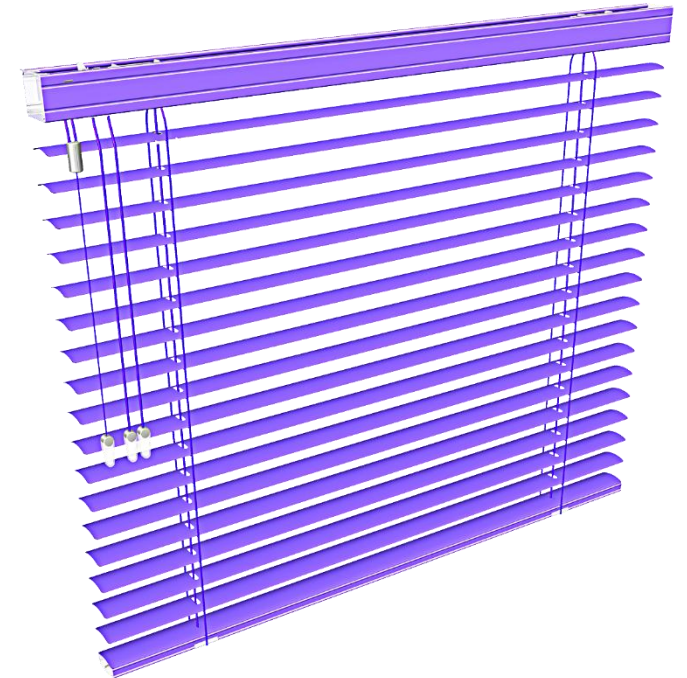
$W_{\min}$	$W_{\max}$	$H_{\min}$	$H_{\max}$	$S_{\max}$
450	5000	200	4000	12.5 m <sup>2</sup>

## Components

For the general parts, needed to produce the standard options, please refer to the exploded view.

## Investments

General investments required to make standard blinds are depending on several factors (like quantities and level of assembly - automation).



[Back](#)

[Exploded View](#)

[Back to main](#)

# 50 / 70 mm Chain Operation

This 'mono command' uses the new HD Aura XL system for both tilting and lifting, which are done in one operation. In this case an endless chain is used, which can be made of either plastic or metal

## Size limitations

$W_{\min}$	$W_{\max}$	$H_{\min}$	$H_{\max}$	$S_{\max}$
600	5000	400	5000	10 m <sup>2</sup>

## Components

For the general parts, needed to produce the standard options, please refer to the exploded view.

## Investments

General investments required to make standard blinds are depending on several factors (like quantities and level of assembly – automation).

[Back](#)[Exploded View](#)[Back to main](#)

# 50 / 70 mm Crank Operation

This 'mono command' uses the new HD Aura XL system for both tilting and lifting, which are done in one operation. In this case a crank is used. Intrinsically child safe, this operation can be either fixed to the blind or detachable

## Size limitations

$W_{\min}$	$W_{\max}$	$H_{\min}$	$H_{\max}$	$S_{\max}$
600	5000	400	5000	15 m <sup>2</sup>

## Components

For the general parts, needed to produce the standard options, please refer to the exploded view.

## Investments

General investments required to make standard blinds are depending on several factors (like quantities and level of assembly – automation).

[Back](#)[Exploded View](#)[Back to main](#)

# 50 / 70 mm Motorized Operation

Ultimately, the AURA XL mono command blind can be operated electrically. With a 230 volt motor inside, this blind can be operated by switch, remote, or incorporated in a home motion control system

## Size limitations

$W_{\min}$	$W_{\max}$	$H_{\min}$	$H_{\max}$	$S_{\max}$
610	5000	400	4000	20 m <sup>2</sup>

## Components

For the general parts, needed to produce the standard options, please refer to the exploded view.

## Investments

General investments required to make standard blinds are depending on several factors (like quantities and level of assembly – automation).

[Back](#)[Exploded View](#)[Back to main](#)

# 50 / 70 mm Duoflex

With a simple adjustment, any type of blind can be divided into two segments, giving the option to have an opened topside leaving the light coming in, while closing the bottom section for privacy and anti-glare (or vice-versa of course).

## **Size limitations**

The size limitations of a duoflex are equal to the standard version of the product type that is produced.

## **Components**

1601790000      Cordbead

## **Investments**

For Duoflex blinds no additional tooling is required.

[Back](#)[Back to main](#)



# 50 / 70 mm 'Design' Chain Operation

The 50 and 70mm 'mono command' can also be executed with a stylish designed extruded head- and bottom rail. Of course it uses the new HD Aura XL system for both tilting and lifting in one operation. In this case an endless chain is used, which can be made of either plastic or metal

## Size limitations

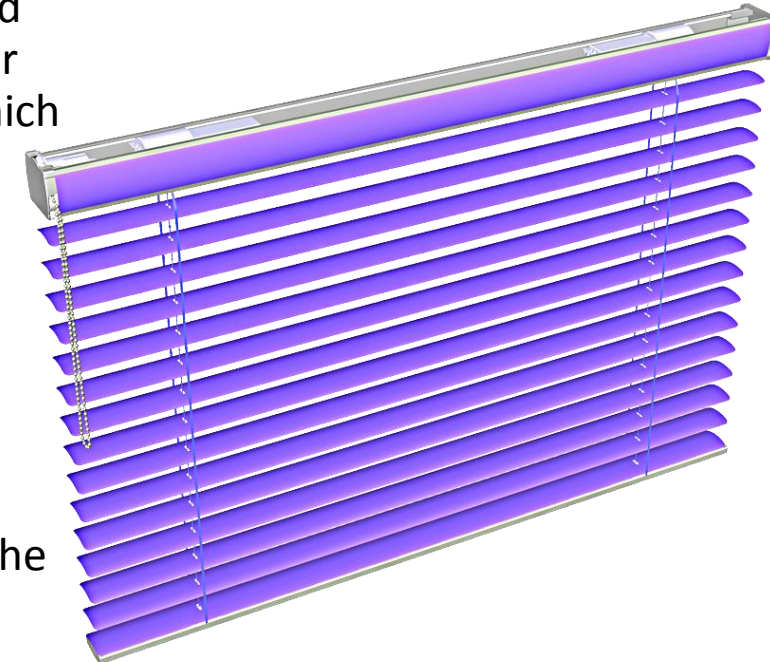
$W_{min}$	$W_{max}$	$H_{min}$	$H_{max}$	$S_{max}$
460	5000	400	5000	10 m <sup>2</sup>

## Components

For the general parts, needed to produce the standard options, please refer to the exploded view.

## Investments

General investments required to make standard blinds are depending on several factors (like quantities and level of assembly – automation).



[Back](#)

[Exploded View](#)

[Back to main](#)

# 50 / 70 mm 'Design' Crank Operation

The 50 and 70mm 'mono command' can also be executed with a stylish designed extruded head- and bottom rail. Of course it uses the new HD Aura XL system for both tilting and lifting in one operation. The crank operation is intrinsically child safe, and can be either fixed to the blind or detachable

## Size limitations

$W_{\min}$	$W_{\max}$	$H_{\min}$	$H_{\max}$	$S_{\max}$
540	5000	400	5000	15 m <sup>2</sup>

## Components

For the general parts, needed to produce the standard options, please refer to the exploded view.

## Investments

General investments required to make standard blinds are depending on several factors (like quantities and level of assembly – automation).

[Back](#)[Exploded View](#)[Back to main](#)

# 50 / 70 mm 'Design' Motorized Operation

The 50 and 70mm 'mono command' can also be executed with a stylish designed extruded head- and bottom rail. Of course it uses the new HD Aura XL system for both tilting and lifting in one operation. With a 230 volt motor inside, this blind can be operated by switch, remote, or incorporated in a home motion control system

## Size limitations

$W_{\min}$	$W_{\max}$	$H_{\min}$	$H_{\max}$	$S_{\max}$
660	5000	400	5000	20 m <sup>2</sup>

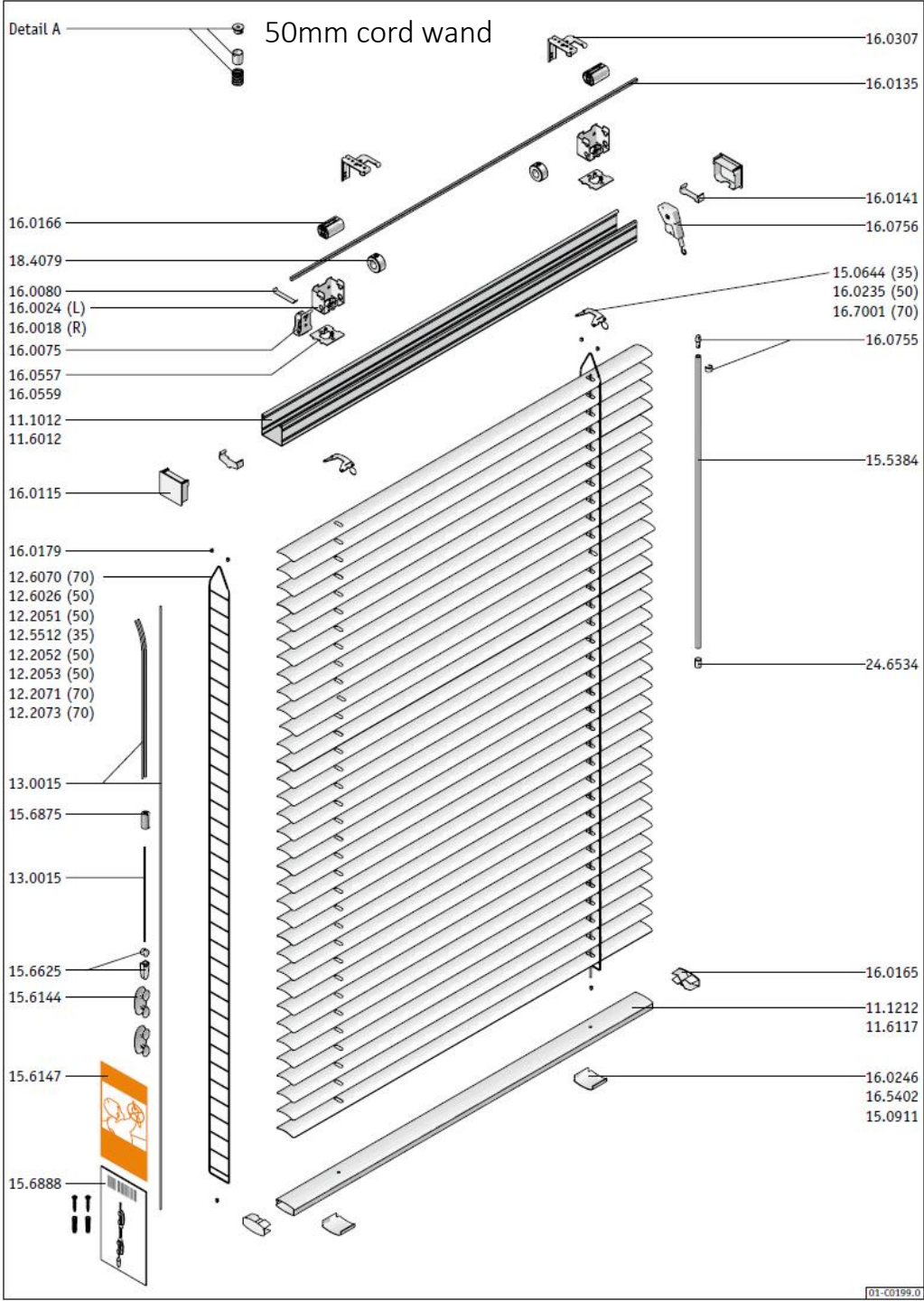
## Components

For the general parts, needed to produce the standard options, please refer to the exploded view.

## Investments

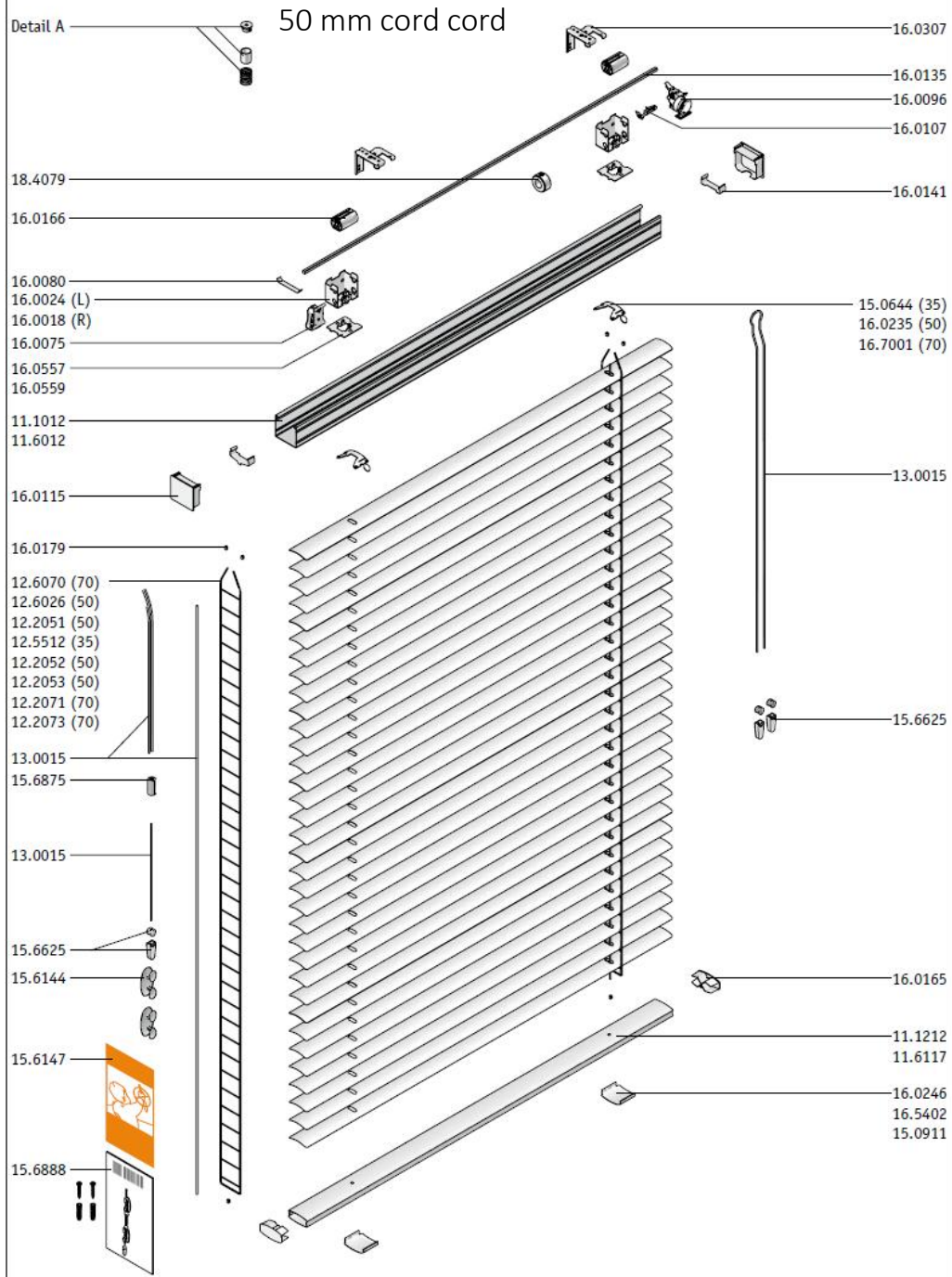
General investments required to make standard blinds are depending on several factors (like quantities and level of assembly – automation).

[Back](#)[Exploded View](#)[Back to main](#)



Back

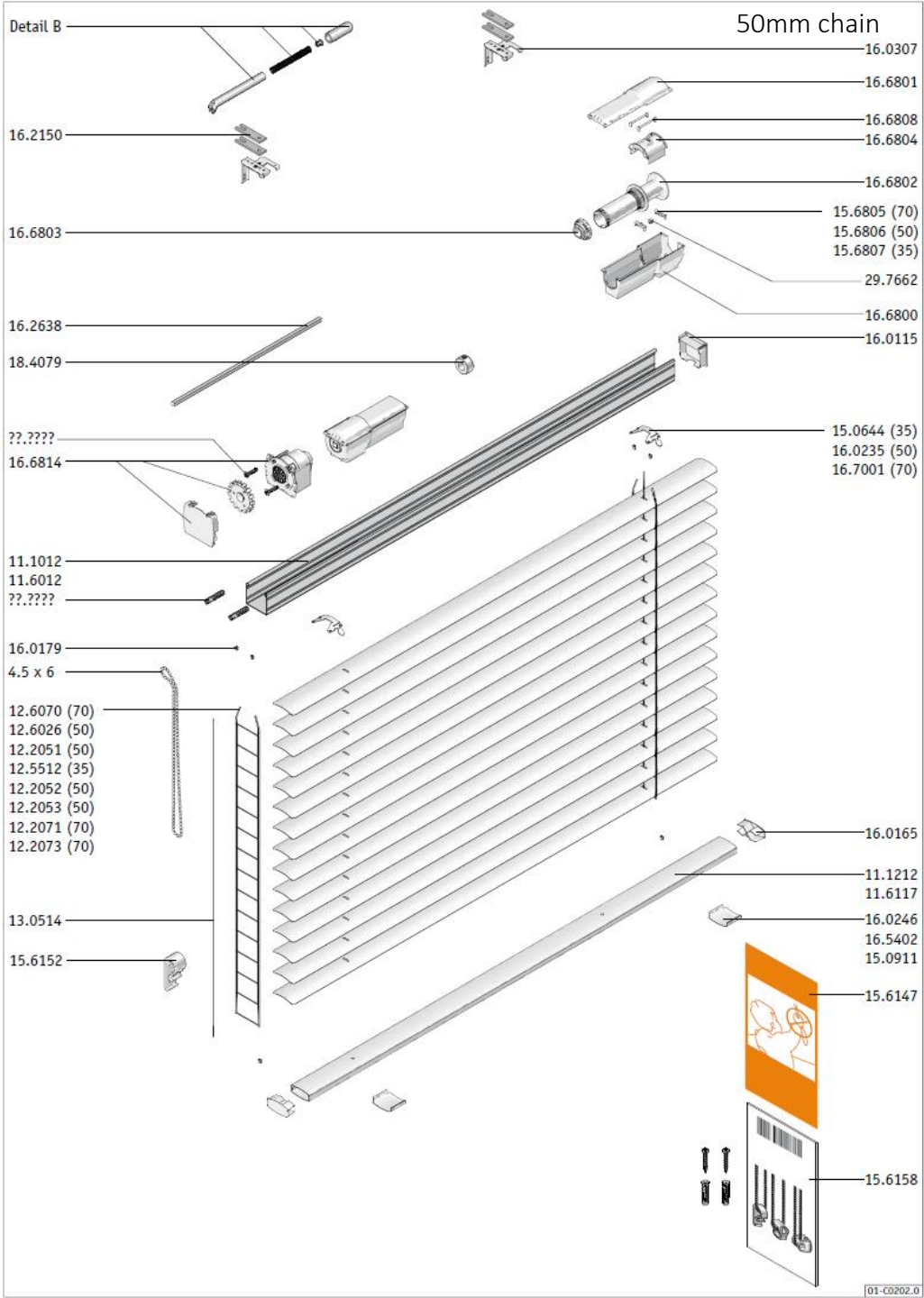
Back to main



Back

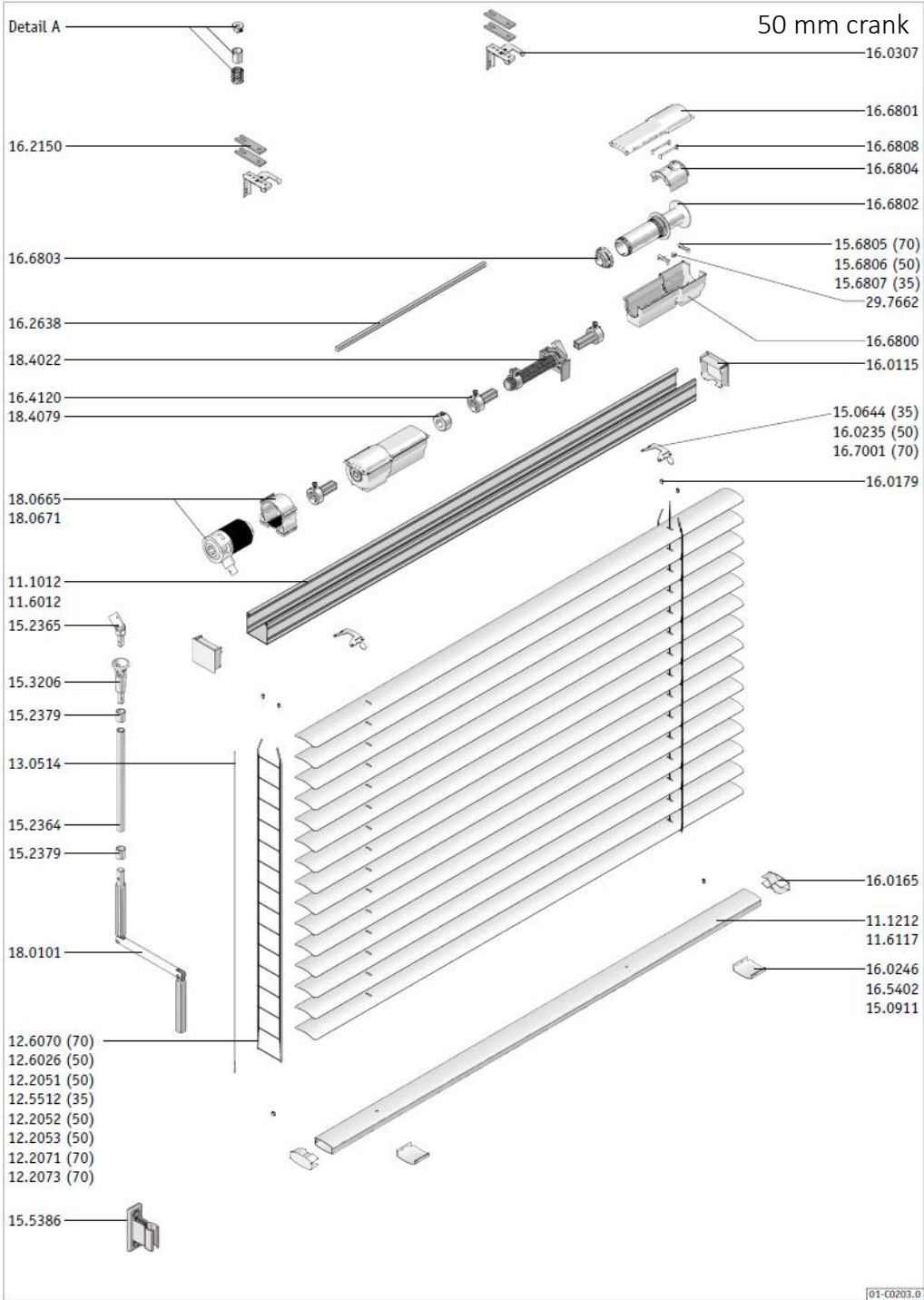
Back to main





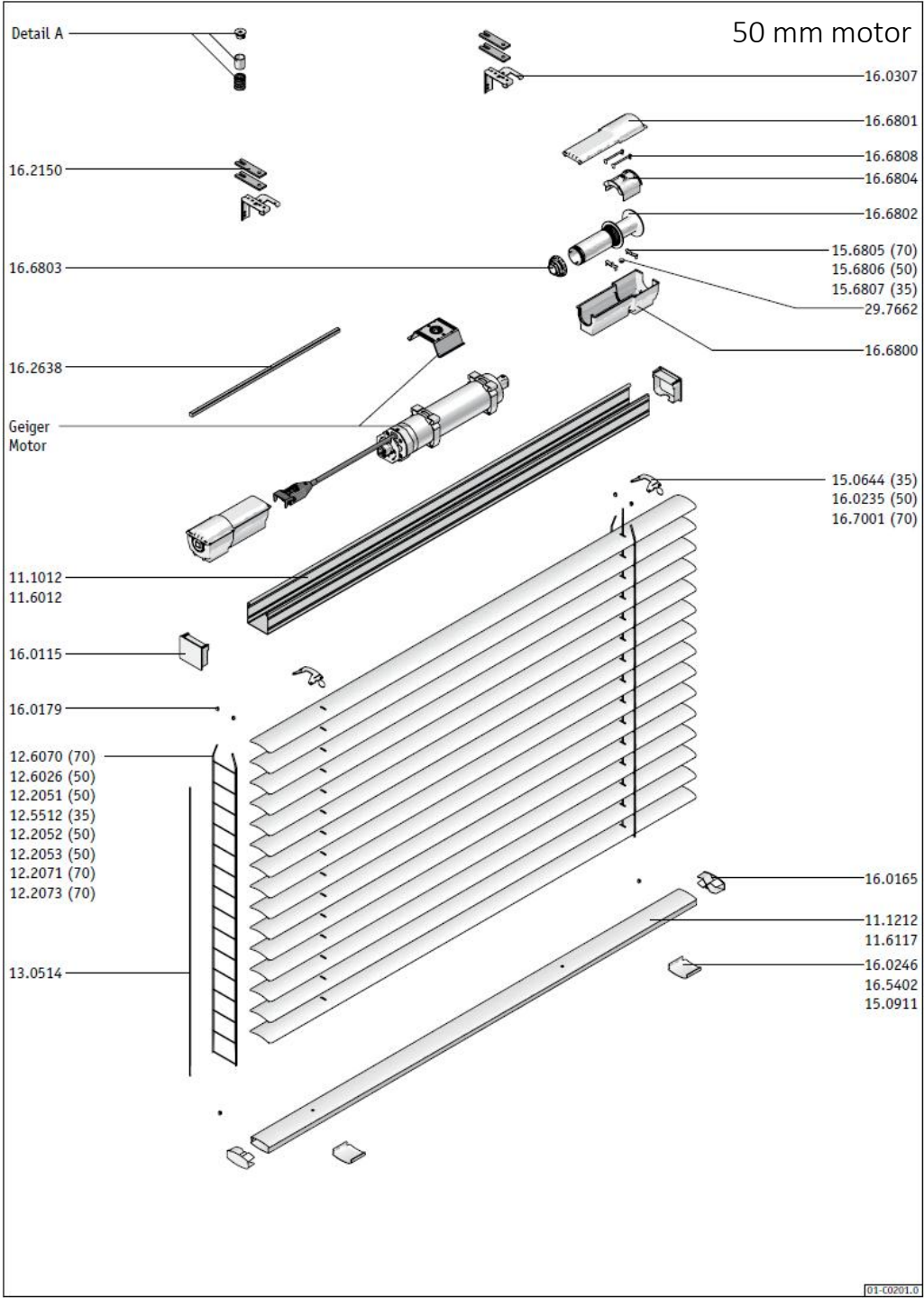
Back

Back to main



Back

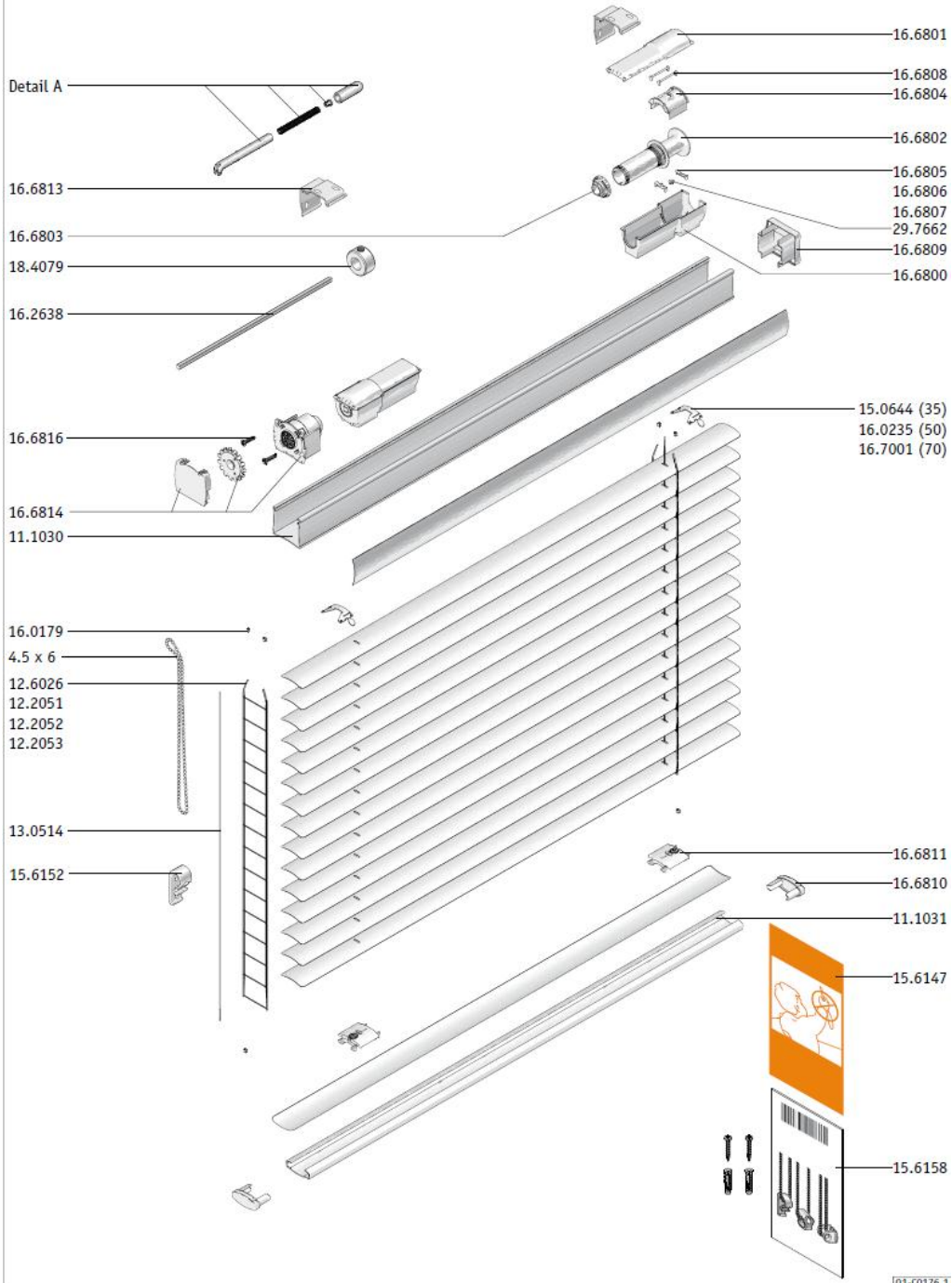
Back to main



Back

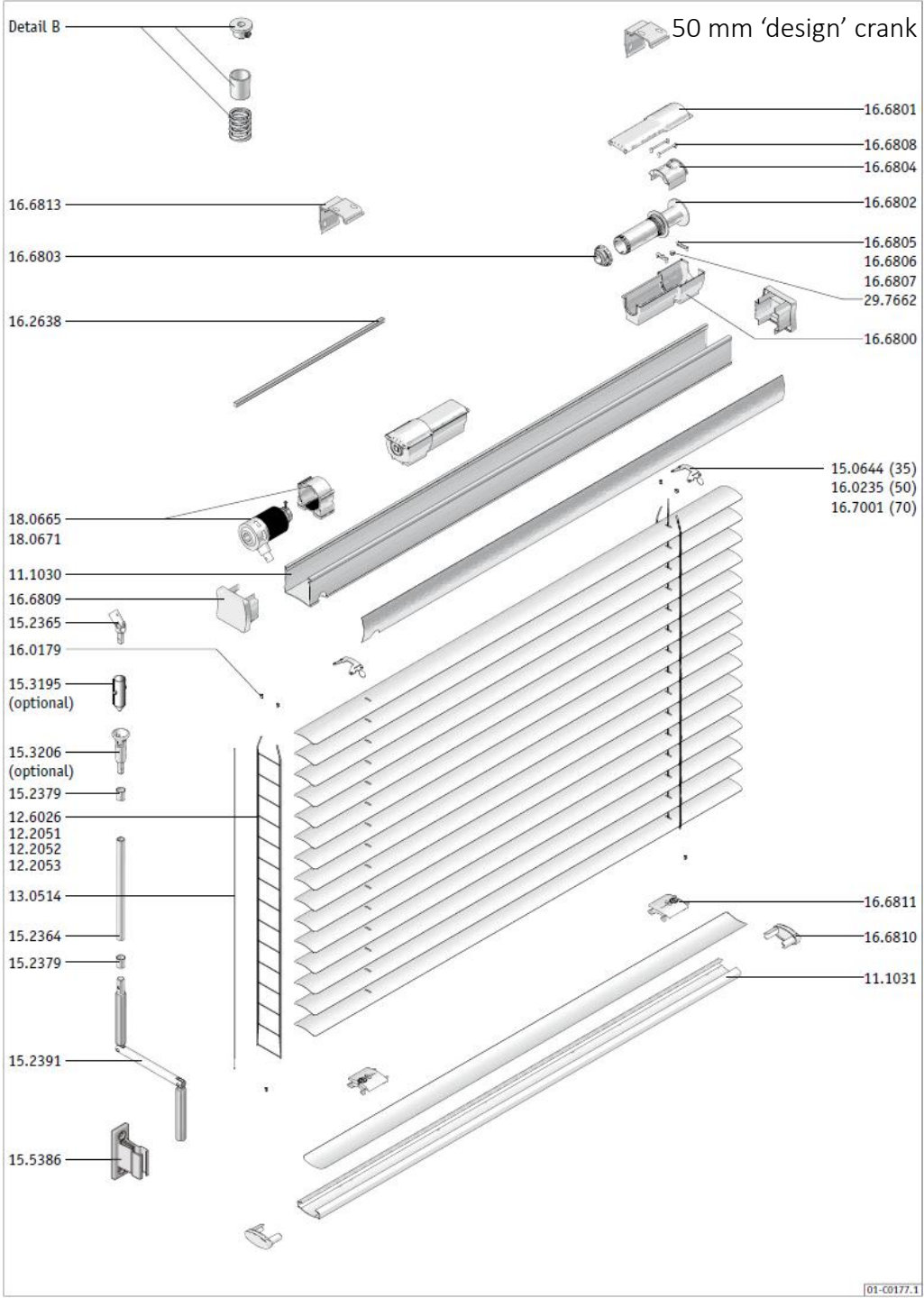
Back to main

## 50 mm 'Design' chain



Back

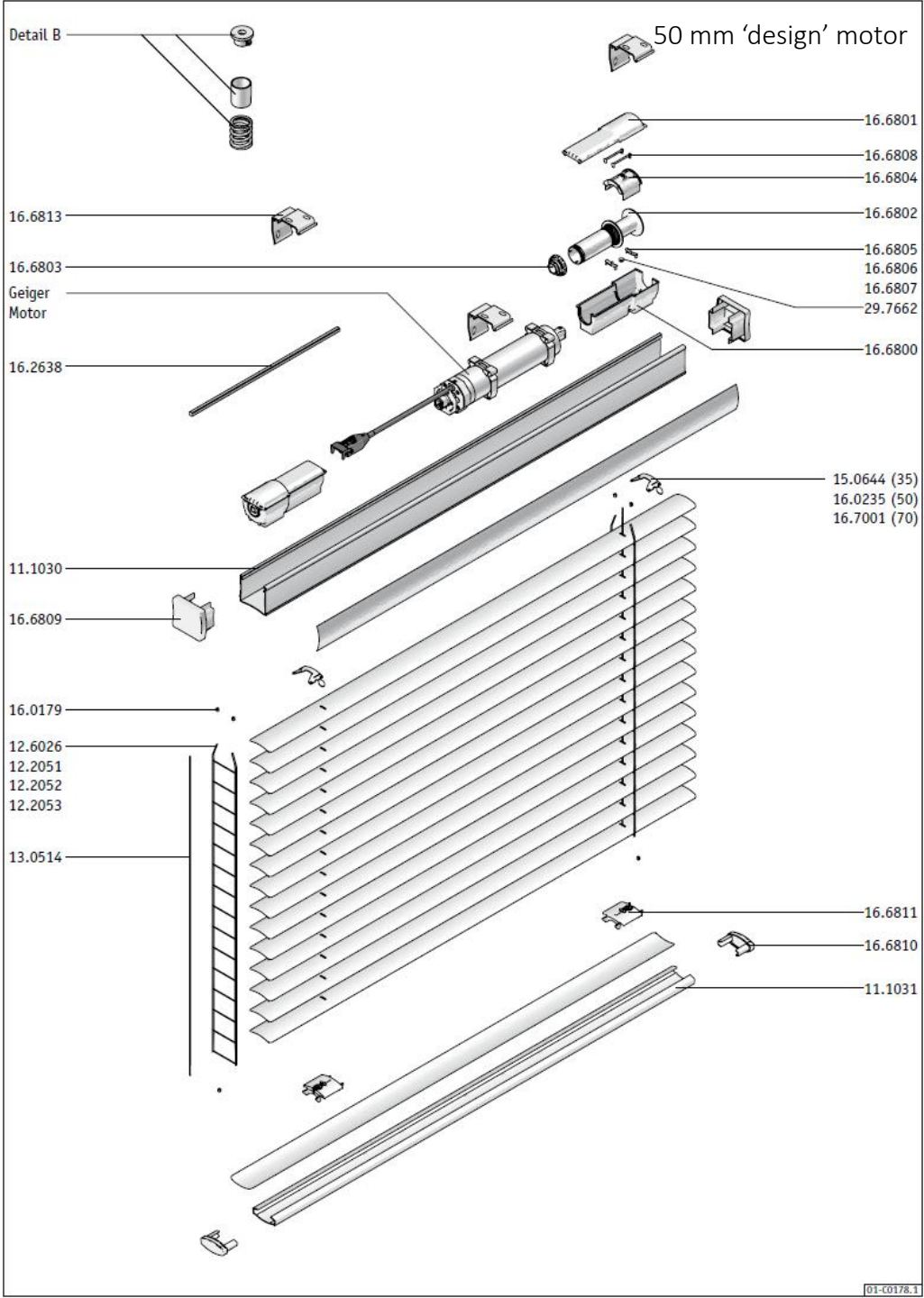
Back to main



Back

Back to main





Back

Back to main