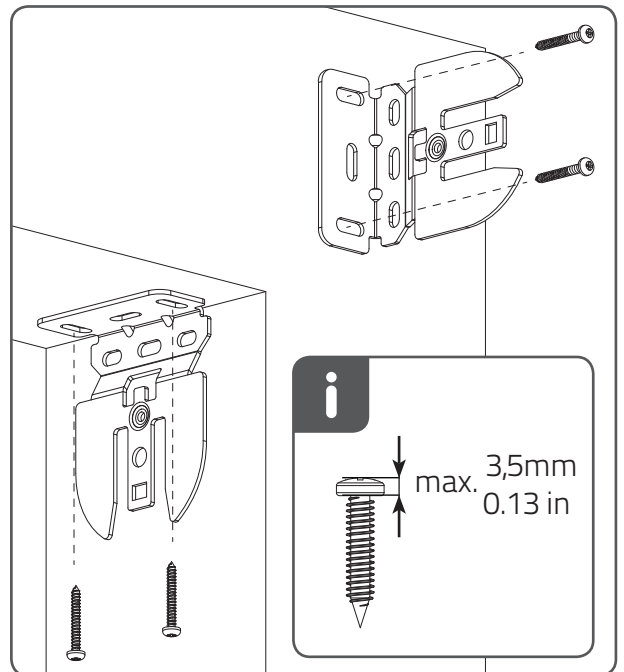
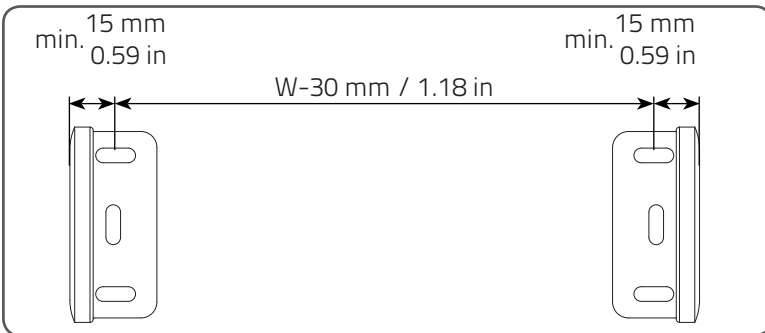
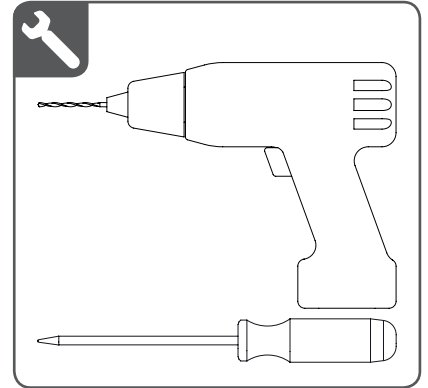
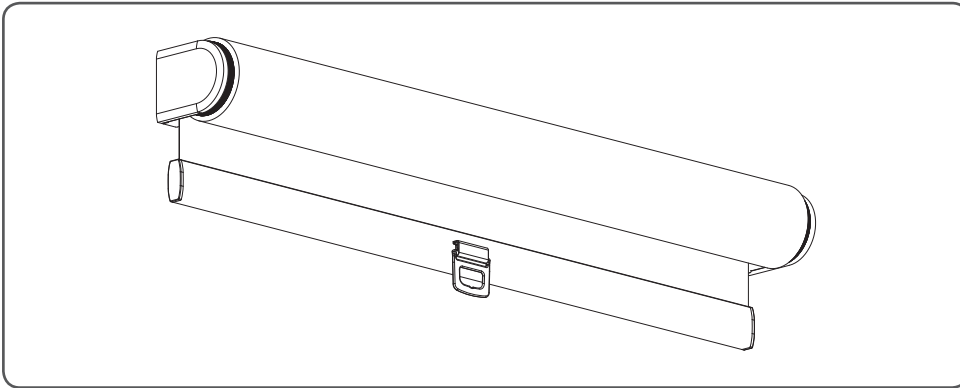
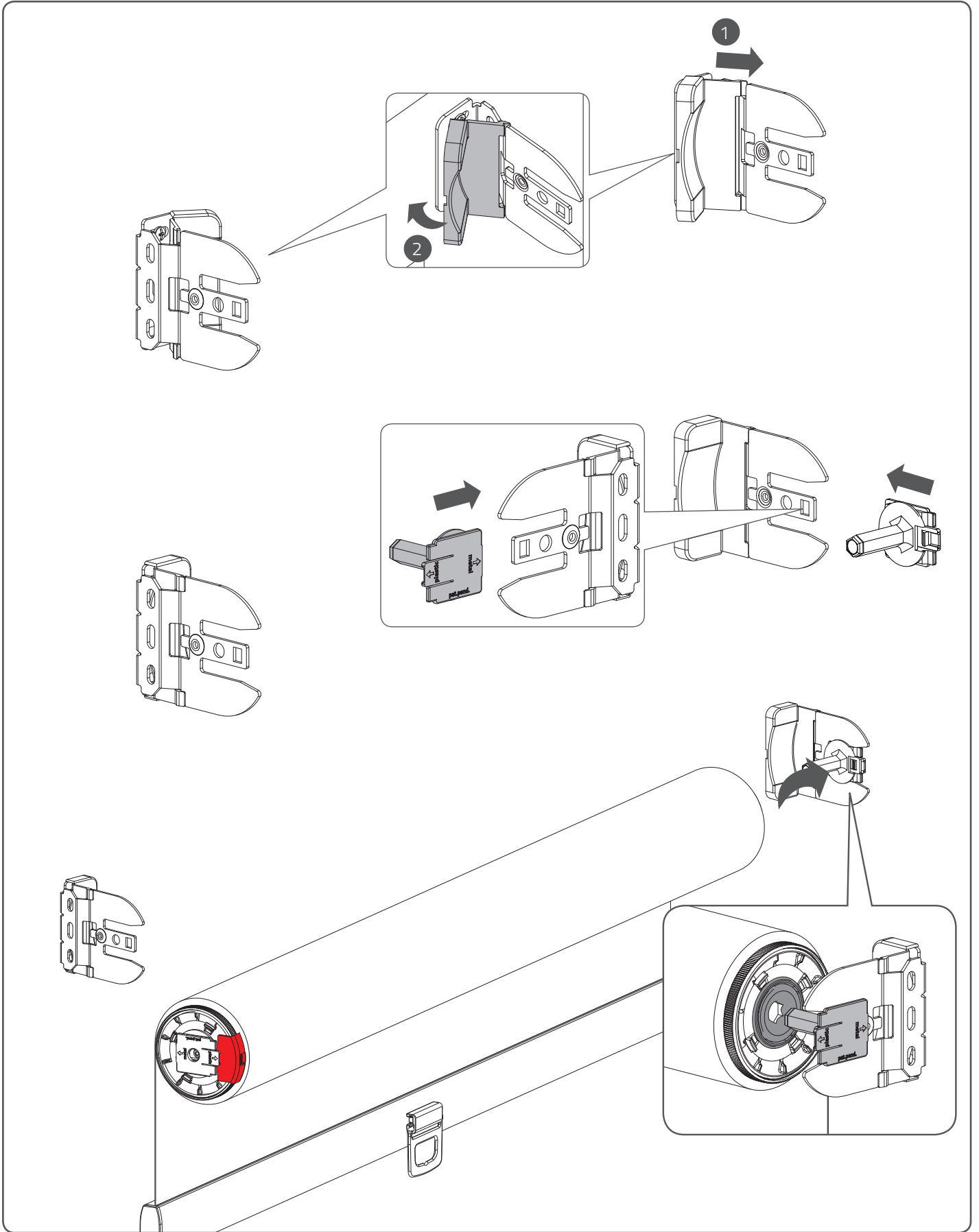
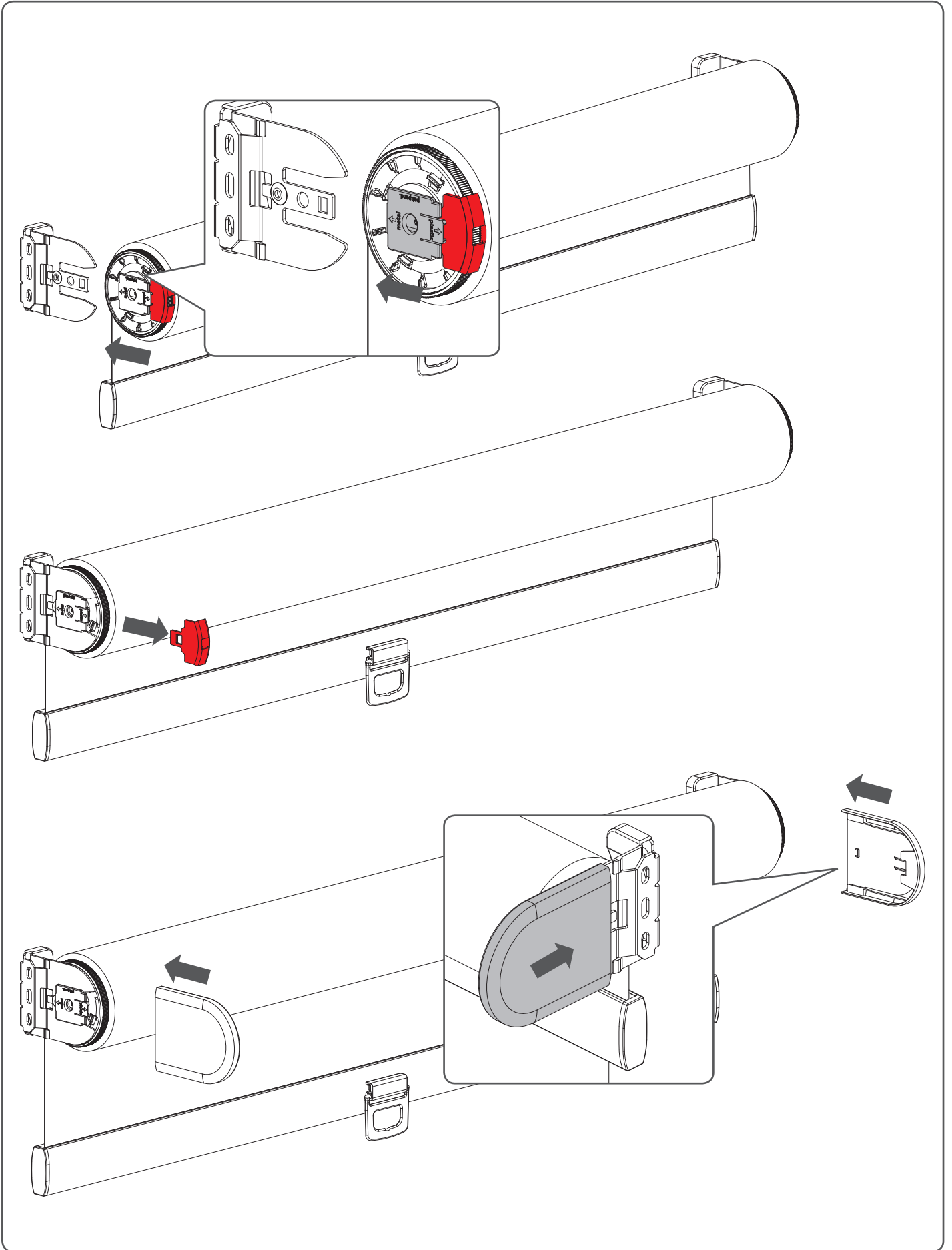


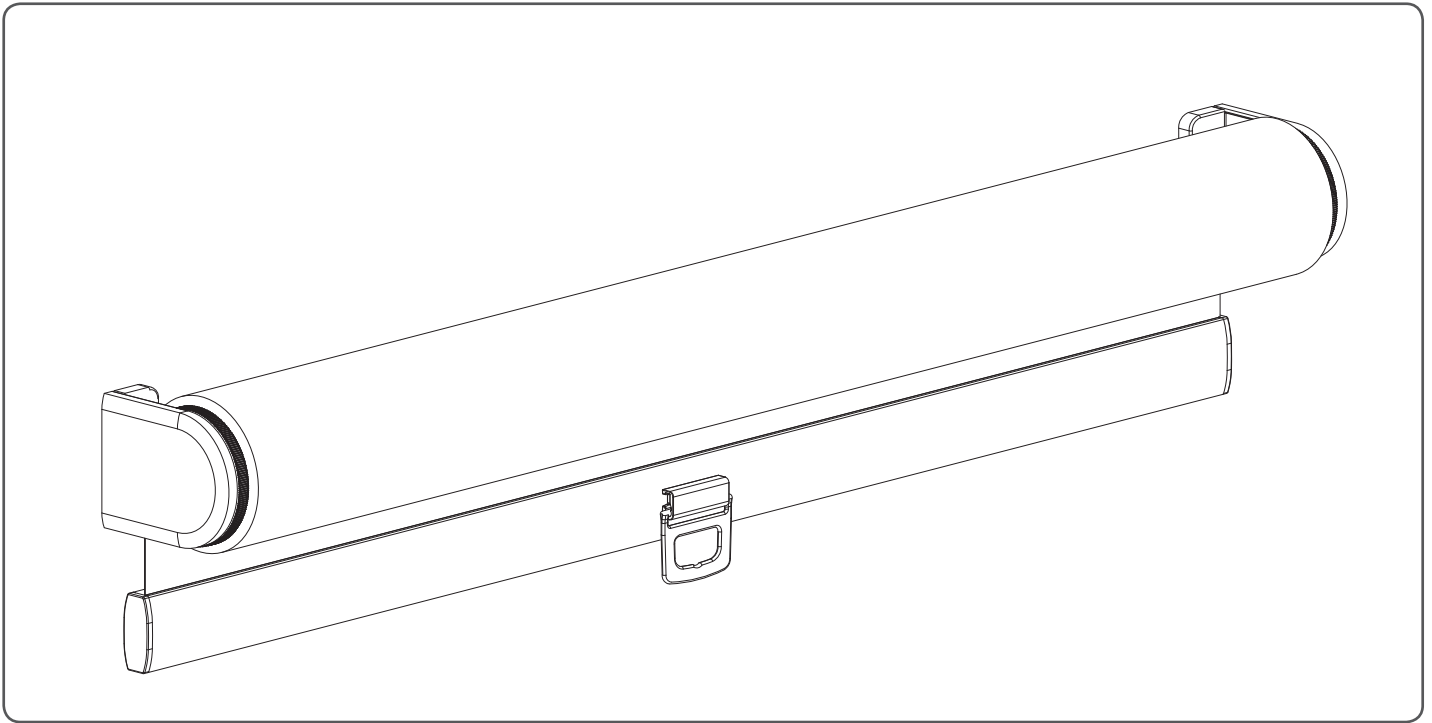
Installation RC-MC10

Read the instructions carefully before assembling and using the product.
Assembling process can be completed by non-professionals. For indoor use only.









i **Adjust spring tension**

+

Add tension

-

Lower tension

i **Adjust top limit**

Raise

Lower

Removal

