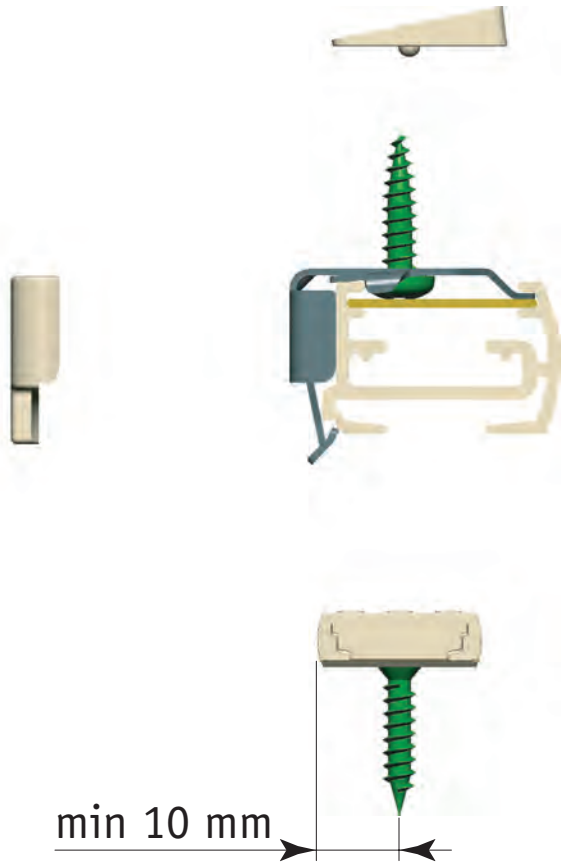
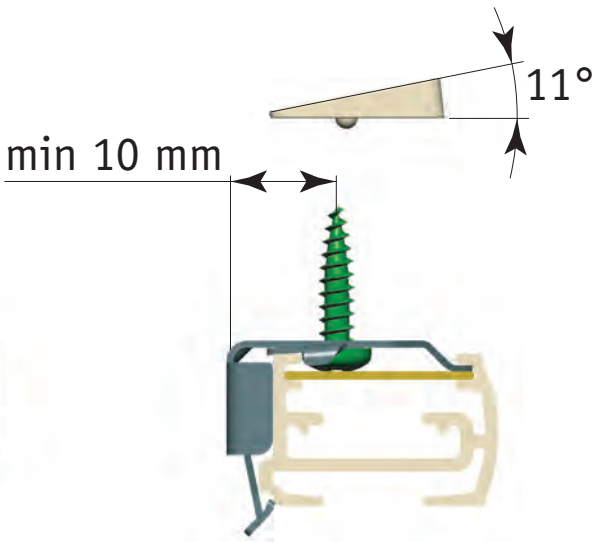
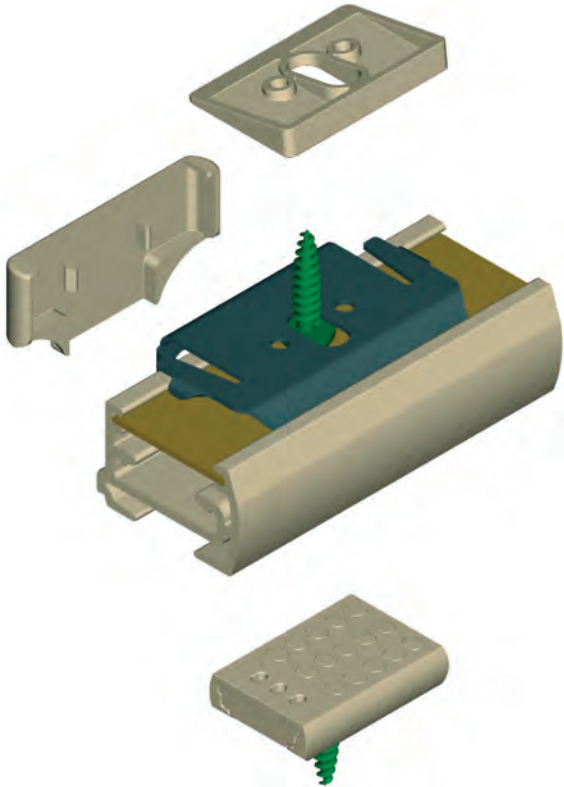
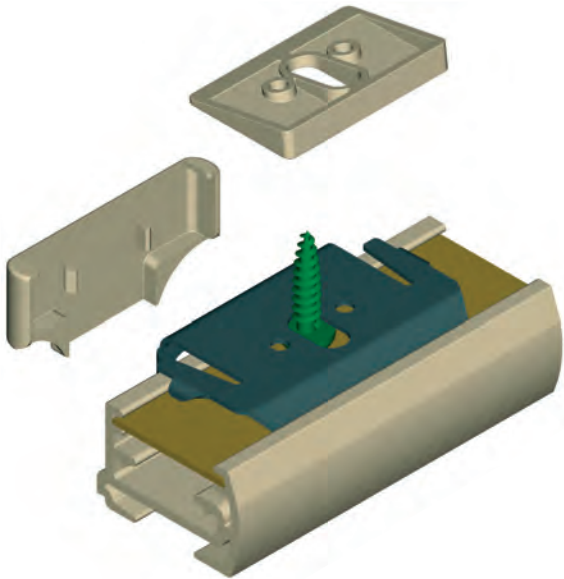


INSTALLATION OPTION R1 (IN RECESS)

Page date: 15-04-2006



© - 2007 - Hunter Douglas Europe B.V.